

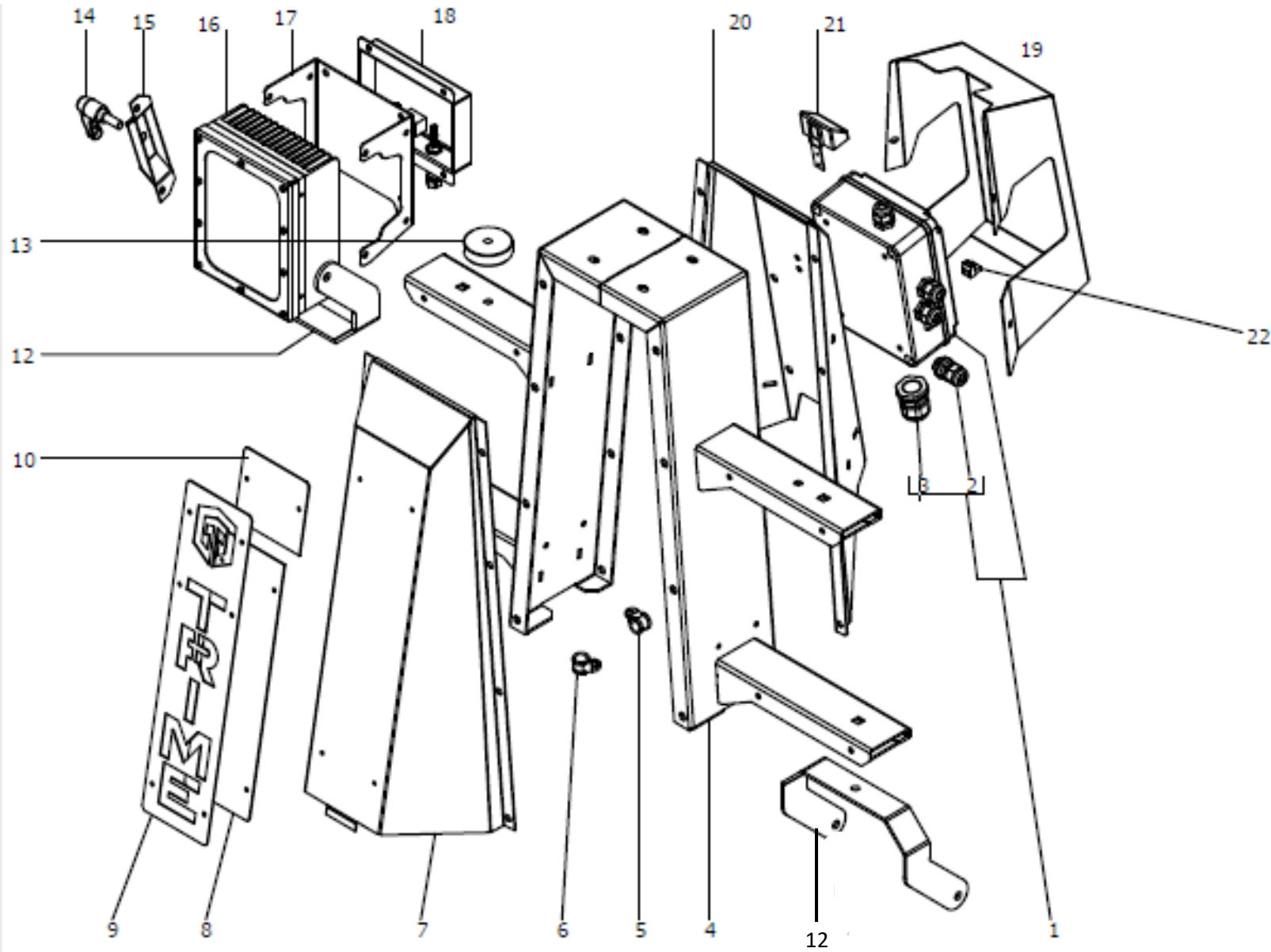
# Genuine Spare Parts

 **TRIME**<sup>®</sup>

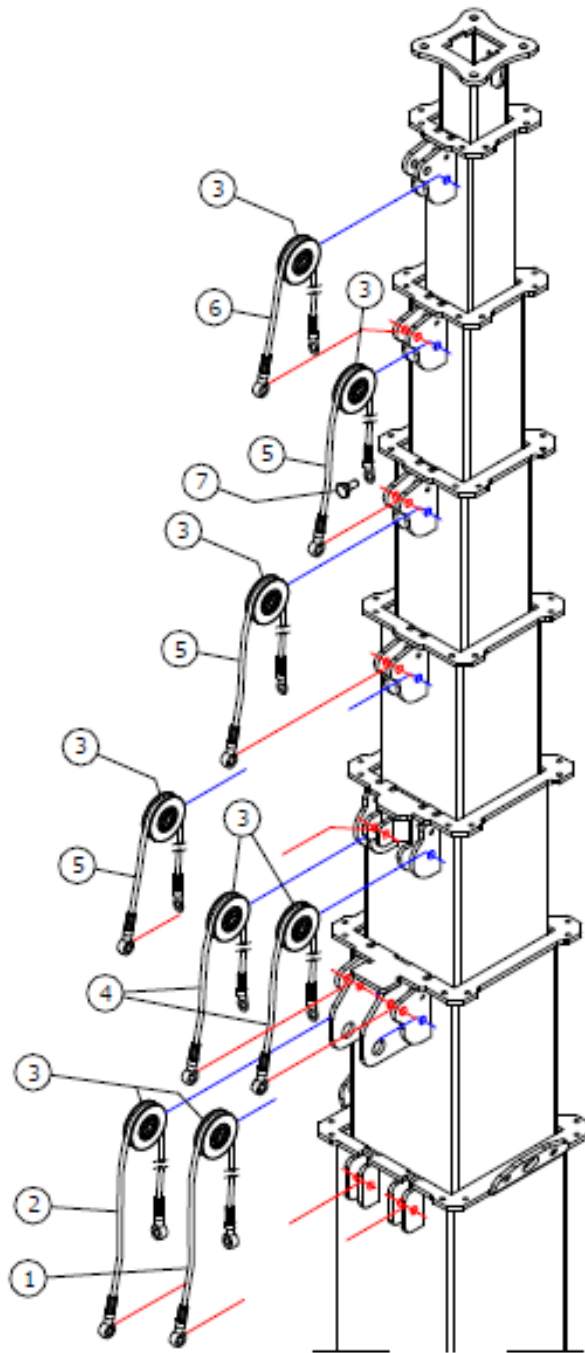
[www.trimeuk.com](http://www.trimeuk.com)

**X-ECO-HYBRID**  
**LITHIUM**





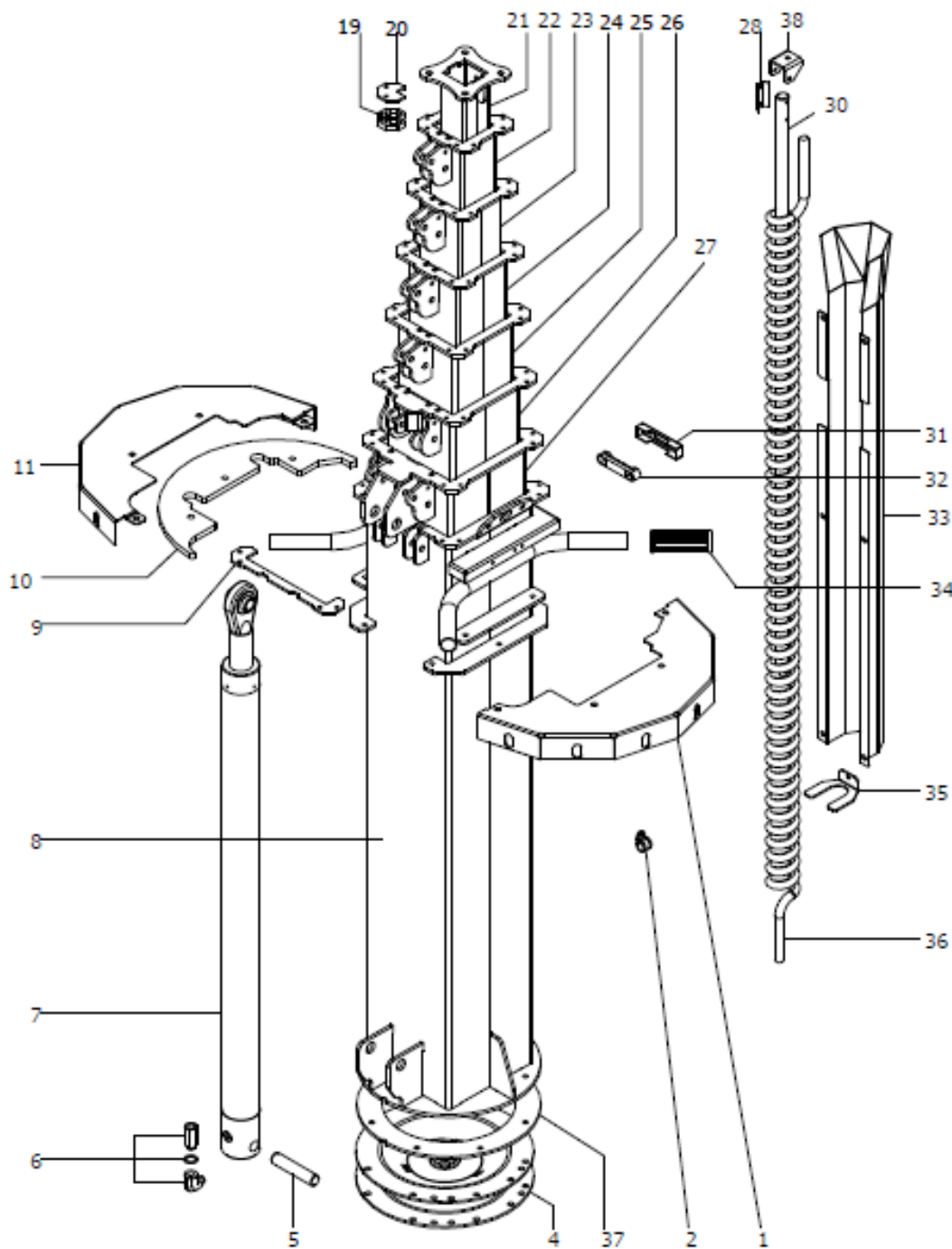
NO.	PART CODE	DESCRIPTION
1	AS000_E006_001	JUNCTION BOX
2	AC000_E018_008	PG11 WIRE HOLDER
3	AC000_E018_002	PG21 WIRE HOLDER
4	LED06_C000_01	CENTRAL SUPPORT
5	AC000_E018_018	RUBBERED CLAMP
6	AC000_M038_007	RUBBERED CLAMP
7	LED06_C000_012	FRONT COVER
8	PFM08_C000_071	WHITE PLATE
9	LED06_C000_024	LOGO PLATE
10	PFM08_C000_072	RED PLATE
12	LED06_C000_09ZN	FLOODLIGHT UPPER SUPPORT
13	AS000_M023_001	SPACER
14	AC000_M000_007	HANDLE
15	LED06_C000_07	HANDLE SUPPORT
16	AC000_E026_043	FLOODLIGHT
17	LED04_C000_034	POWER SUPPLY SUPPORT
18	AC000_E026_049	POWER SUPPLY
19	LED06_C000_04	REAR COVER
20	LED06_C000_08	JUNCTION BOX COVER
21	AC000_E016_005	LIGHT SENSOR
22	AC000_E006_002	ELECTRICAL CLAMP



NO.	PART CODE	DESCRIPTION
1	AC000_M021_012	STEEL ROPE L.1440 mm
2	AC000_M021_005	STEEL ROPE L.1460 mm
3	AC000_M021_002	PULLEY D.60
	AC000_M021_003	PULLEY D.62
	AC000_M021_008	PULLEY D.63
4	AC000_M021_007	STEEL ROPE L.1385 mm
5	AC000_M021_006	STEEL ROPE L.1415 mm
6	AC000_M021_004	STEEL ROPE L.1440 mm
7	AS000_M000_029	SCREW

Note: Please measure rope's and pulleys before ordering



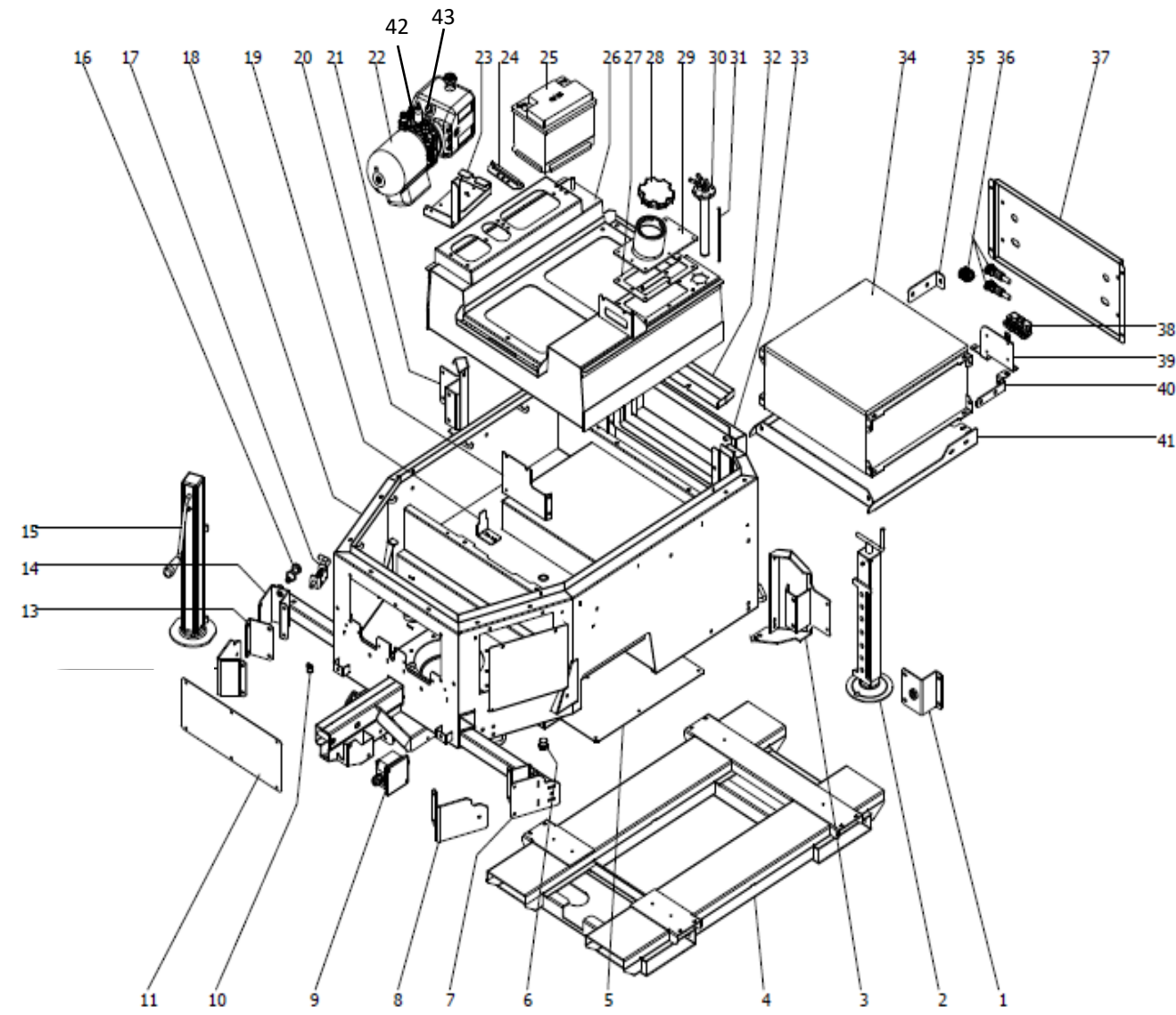


NO.	PART CODE	DESCRIPTION
1	PFI08_C031_019ZN	MAST POSITIONING PLATE, LEFT
2	AC000_M038_007	CLAMP WITH RUBBER
4	PFM07_C031_070	MAST ROTATING SUPPORT
5	AS000_M023_026	HYDRAULIC PIPE PIN
6	AC000_G025_001	HYDRAULIC PIPE KIT
7	AS000_I025_001	HYDRAULIC PIPE
8	PFI08_C031_001ZN	1° SECTION MAST
9	PFI08_C031_024	SPACER
10	PFI08_C031_015	DRAG FLANGE
11	PFI08_C031_018ZN	MAST POSITIONING PLATE, RIGHT
19	AS000_M000_005	MAST ANGLE GUIDE
20	PFI08_C031_012ZN	MAST ANGLE GUIDE REINFORCEMENT
21	PFI08_C031_008ZN	8° SECTION MAST
22	PFI08_C031_007ZN	7° SECTION MAST
23	PFI08_C031_006ZN	6° SECTION MAST
24	PFI08_C031_005ZN	5° SECTION MAST
25	PFI08_C031_004ZN	4° SECTION MAST
26	PFI08_C031_003ZN	3° SECTION MAST
27	PFI08_C031_002ZN	2° SECTION MAST

NO.	PART CODE	DESCRIPTION
28*	PFM07_C000_019	CENTERING PIN CLAMP
30*	PFM07_C000_014	CENTERING PIN
31*	PFI08_C031_029ZN	AIR BUBBLE LEVEL PROTECTION
32	AC000_M016_002	AIR BUBBLE LEVEL
33	PFI08_C031_009ZN	COILED CABLE PROTECTION
34	AC000_P037_001	HANDLE
35	PFM08_C000_047	COILED CABLE LOCK
36	AC000_E006_016	COILED CABLE
37	XRENT_C031_087	MAST ROTATING SUPPORT FRAME
38*	PFI08_C031_017	CENTERING PIN SUPPORT

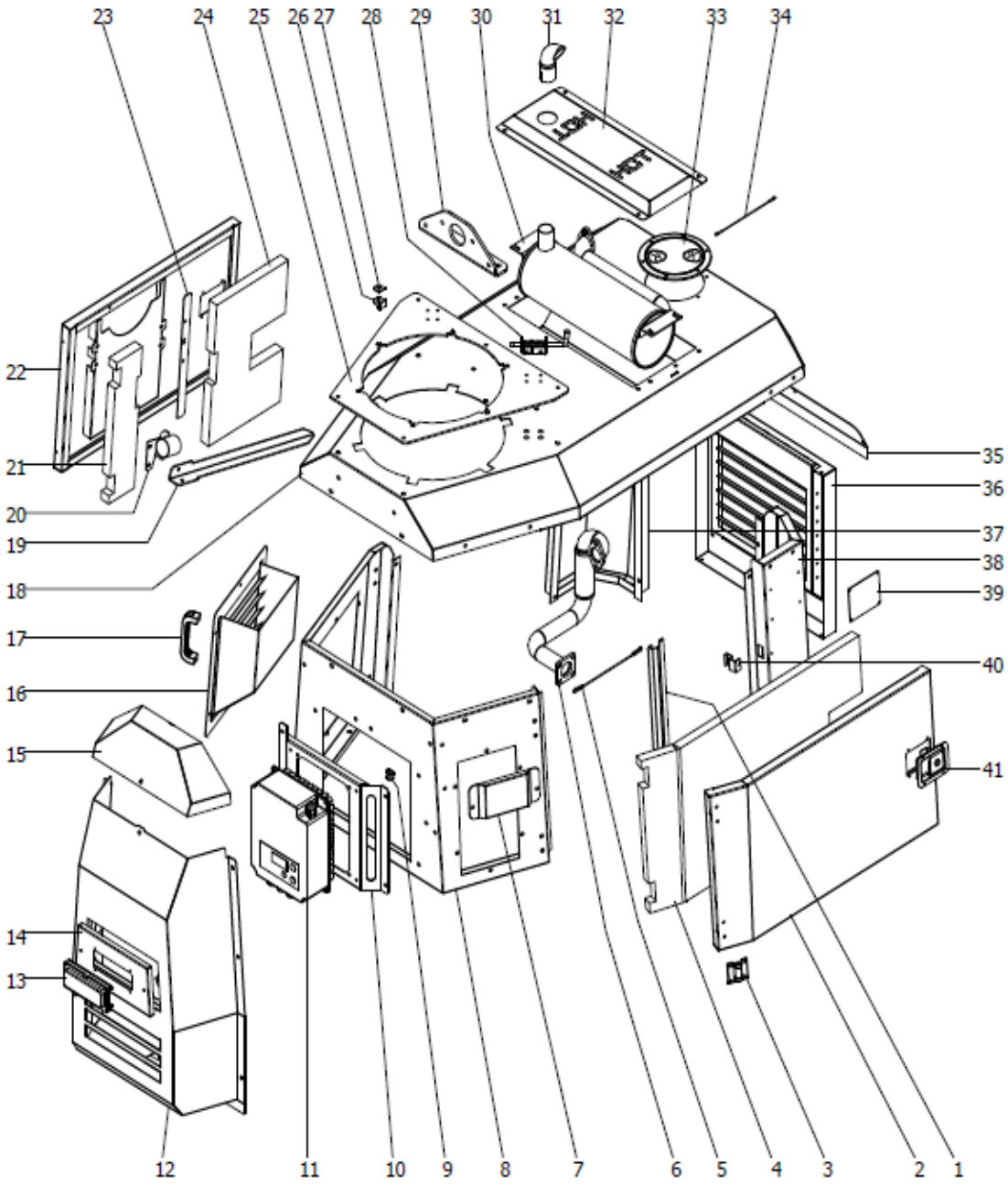
\*Optional





NO.	PART CODE	DESCRIPTION	NO.	PART CODE	DESCRIPTION
1	XECOK2_C000_096	REAR STABILIZER BRACKET	27	XECOK_AS05_009	INSPECTION PLATE GASKET
2	XECOK2_C003_093	REAR STABILIZER	28	AC000_M000_028	FUEL TANK CAP
3	XECOK2_C000_095	REAR STABILIZER RIGHT SUPPORT	29	XECOK2_C005_149	INSPECTION PLATE
4	XECOK2_C000_366	FORK LIFT STRUCTURE	30	AC000_E006_192	FUEL LEVEL TRANSMITTER
5	XHY_C008_285	BOTTOM COVER	31	XHY_C000_304	FUEL LEVEL TRANSMITTER TUBE
6	AC000_M000_081	DRAIN CAP	32	XHY_C004_303	COVER
7	XECOK2_C000_119ZN	NEAR SIDE FRONT BEAM	33	XECOK2_C004_034	REAR COVER
8	XECOK2_R008_190	STABILISER RUBBER	34	AC000_E000_165	LITHIUM BATTERY
9	AC000_G006_001	JUNCTION BOX	35	XHY_C006_287	LITHIUM BATTERY BRACKET
10	AC000_M038_007	RUBBERED CLAMP	36	AC000_E000_167	LITHIUM BATTERY CONNECTORS KIT
11	XHY_C008_284	FRONT COVER	37	XHY_C004_273	LITHIUM BATTERY COVER
13	XECOK2_C000_117	RUBBER BRACKET	38	AC000_E006_126	FUSE HOLDER
14	XECOK2_C000_120	OFFSIDE BEAM	39	XHY_C006_297	FUSE HOLDERS SUPPORT
15	XECOK2_C003_200	FRONT STABILIZER	40	XHY_C006_298	LITHIUM BATTERY BRACKET
16	AC000_M000_077	PIN LOCK WITH SPRING	41	XHY_C006_286	LITHIUM BATTERY PLATFORM
17	AC000_M000_086	STABILIZER LOCKING PIN	42	HY-38070K4TAF1F	PRESSURE SWITCH
18	XHY_C004_271	BASE STRUCTURE	43	X-ECO ELECTROVALVE	ELECTRO VALVE COMPLETE
19	XRENT_C000_037	ANTIROTATION PLATE			
20	XECOK2_C006_111	CONTROL PANEL BRACKET			
21	XECOK2_C000_097	REAR STABILIZER LEFT SUPPORT			
22	AS000_I000_017	HYDRAULIC UNIT (HYDROVEN)			
	AS000_I000_011	HYDRAULIC UNIT (ASG)			
23	XECOK2_C000_084	HYDRAULIC UNIT SUPPORT			
24	TF8K1_C000_0014	BATTERY BRACKET			
25	AC000_E000_027	BATTERY			
26	XHY_C005_274	FUEL TANK			



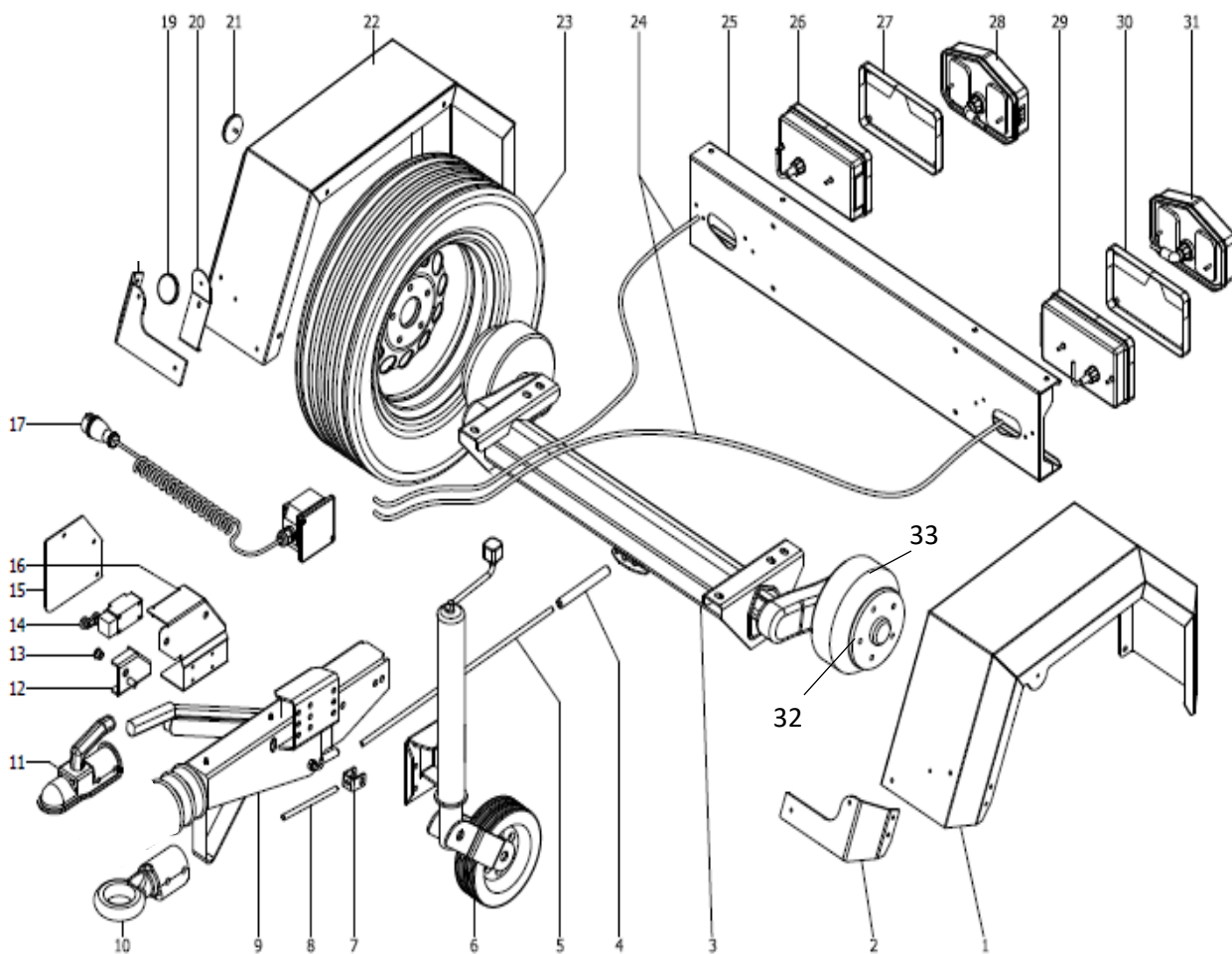


NO.	PART CODE	DESCRIPTION
1*	XECOK2_C000_116	SOUND PROOFING PANEL BRACKET
2	XECOK2_C008_131	NEAR SIDE DOOR
3	AC000_M000_009	HINGE
4*	XECOK2_AS009_341	SOUND PROOFING PANEL
5	AS000_M036_081	DOOR RETENTION ROPE
6	XECOK2_C035_476	MUFFLER EXTENSION
7*	XHY_C006_293	EMERGENCY STOP BUTTON COVER
8	XHY_C007_282	FRONT PANEL
9	AC000_M038_007	RUBBERED CLAMP
10	XHY_C007_283	BATTERY CHARGER SUPPORT
11	AC000_E000_166	BATTERY CHARGER
12	XHY_C007_278	FRONT COVER
13	AC000_E000_008	TRANSPARENT COVER
14	XHY_C007_291	BATTERY CHARGER COVER
15	XHY_C007_279	UPPER FRONT COVER
16	XRENT_C008_044	AIR INLET GRID
17	AC000_M000_005	HANDLE
18	XECOK2_C007_129	UPPER COVER
19	XECOK2_C000_267	EARTHING PIN
20*	XECOK2_C005_506	EARTHING PIN SUPPORT
21*	XECOK2_AS009_507	SOUNDPROOFING PANEL

NO.	PART CODE	DESCRIPTION
22	XECOK2_C008_505	OFFSIDE DOOR
23*	XECOK2_C000_509	SOUNDPROOFING PANEL BRACKET
24*	XECOK2_AS009_508	SOUND PROOFING PANEL
25	XECOK2_C000_050ZN	MAST PLATE
26	PFI08_C031_013	ROTATIONAL SLIDING PLATE
27	PFI08_C031_014ZN	ROTATIONAL SLIDING PLATE REINFORCEMENT
28	AC000_M000_003	MAST LOCKING PIN
29	XECOK2_C036_386ZN	LIFTING EYE
30	XECOK_C035_045	MUFFLER
31	AC000_M000_105	RAIN COVER
32	XECOK_C007_032	MUFFLER COVER
33	AC000_M001_035	RADIATOR CAP COVER
34	AS000_M036_083	RADIATOR CAP COVER RETENTION ROPE
35	XECOK2_C007_113	REAR COVER
36	XECOK2_C008_225	AIR OULET GRID
37	XECOK2_C007_133	REAR LEFT PANEL
38	XECOK2_C007_134	REAR RIGHT PANEL
39	XHY_S010_292B	DATA PLATE
40	XRENT_C000_040	LOCK CONTRAST
41	AC000_M000_017	DOOR HANDLE WITH LOCK

\*Optional



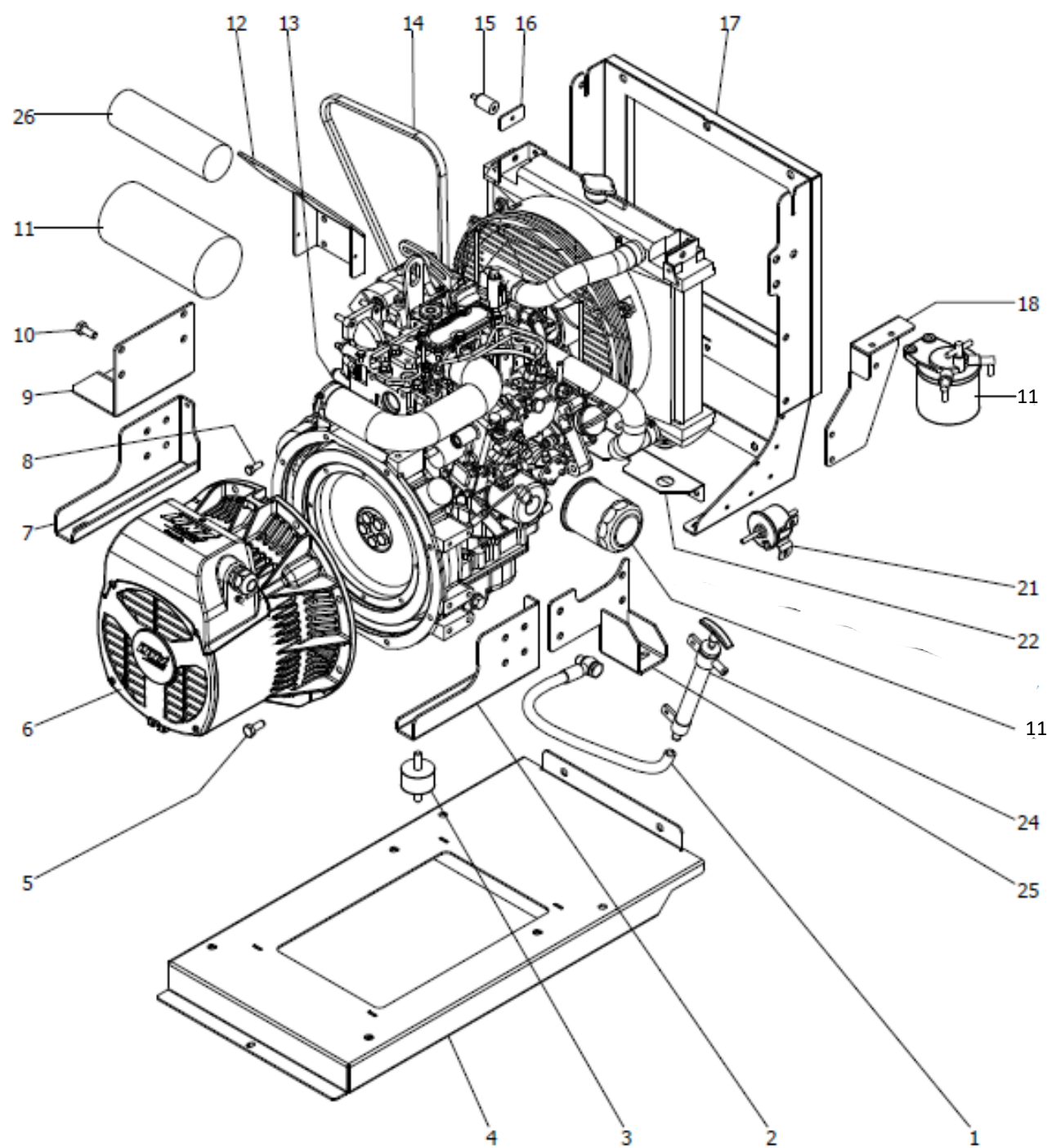


NO.	PART CODE	DESCRIPTION
1	XECOK2_C004_069	NEARSIDE MUDGUARD
2	XECOK2_R008_188	MUDGUARD RUBBER
3	AC000_T003_002	AXLE (ALKO)
	AC000_T003_045	AXLE (OMC)
4	AS000_M000_073	PIN FOR TIE ROD
5	XECOK2_C005_055ZN	REAR TIE ROD
6	AC000_T003_003	JOCKEY WHEEL
7	XECOK2_C005_186ZN	TIE ROD
8	XECOK2_C005_059_03ZN	FRONT TIE ROD
9	AC000_T003_004	TOW BAR C/W HITCH
10	AC000_T003_016	HOOK 50mm
11	AC000_T003_007	BALL HOOK
12	XECOK2_C000_098	SENSOR PLATE
13	XECOK2_C001_101ZN	ADAPTER BUSHING
14	SI000_G006_009	SENSOR
15	XECOK2_C000_100	CLOSING PLATE
16	XECOK2_C000_099	SENSOR SUPPORT
17	AC000_E050_096	WIRING + JUNCTION BOX
19	AC000_T013_001	WHITE REFLECTER
20	XECOK2_C004_312	REFLECTER SUPPORT
21	AC000_T013_002	ORANGE REFLECTER
22	XECOK2_C004_070	OFFSIDE MUDGUARD
	AC000_T003_001	WHEEL 175 R13
23	AC000_T003_046	WHEEL 185-70 R13
	AC000_E050_086	UK WIRING LIGHTS (5 PIN)
24	AC000_E050_253	WIRING LED LIGHTS (6 PIN)

NO.	PART CODE	DESCRIPTION
25	XECOK2_C000_238	LIGHT BAR
26	AC000_E013_007	OFFSIDE CLUSTER
27	AC000_E013_009	OFFSIDE CLUSTER LENS
28	AC000_E013_026	OFFSIDE LED CLUSTER
29	AC000_E013_008	NEARSIDE CLUSTER
30	AC000_E013_010	NEARSIDE CLUSTER LENS
31	AC000_E013_027	NEARSIDE LED CLUSTER
32	TR-2081670018	WHEEL NUTS (AL-KO)
	OMC-34.418	WHEEL NUTS (OMC)
33	TR-1732461	BRAKE SHOES (AL-KO)
	OMC-F0035	BRAKE SHOES (OMC)



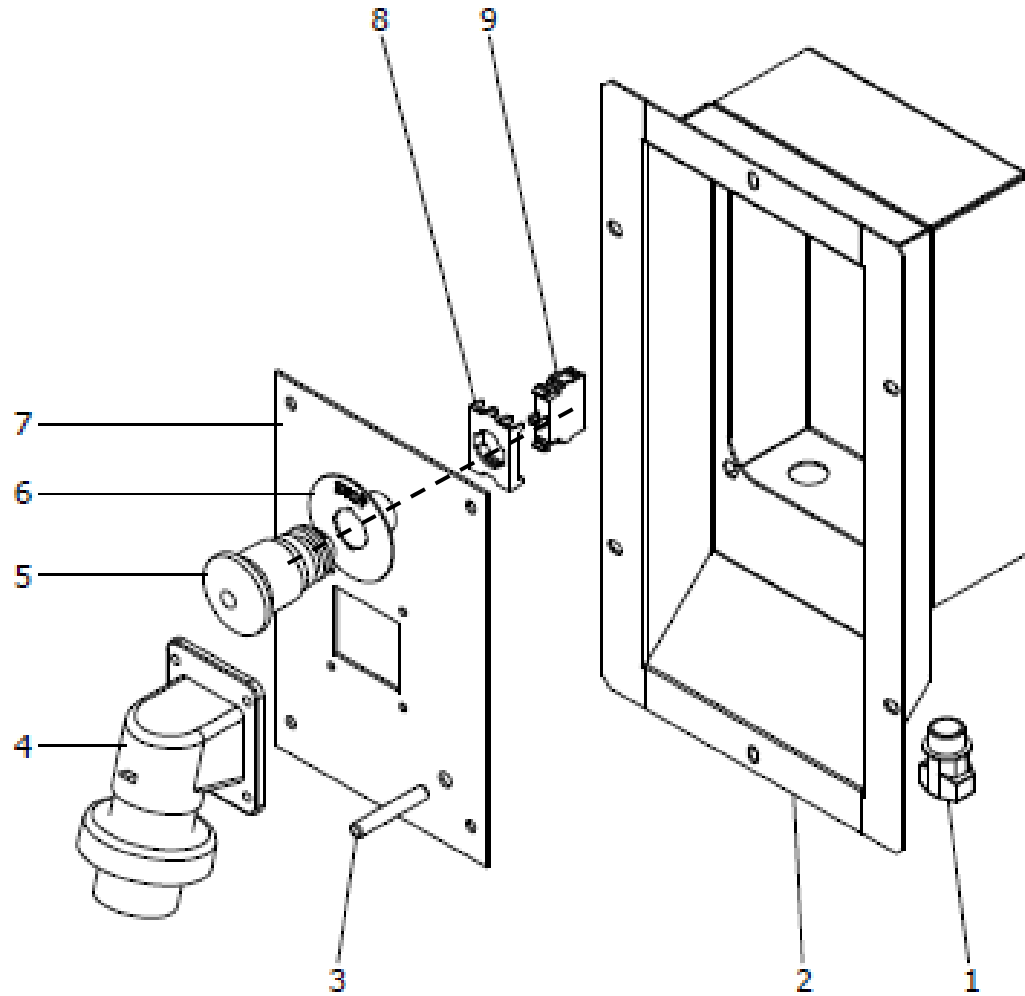




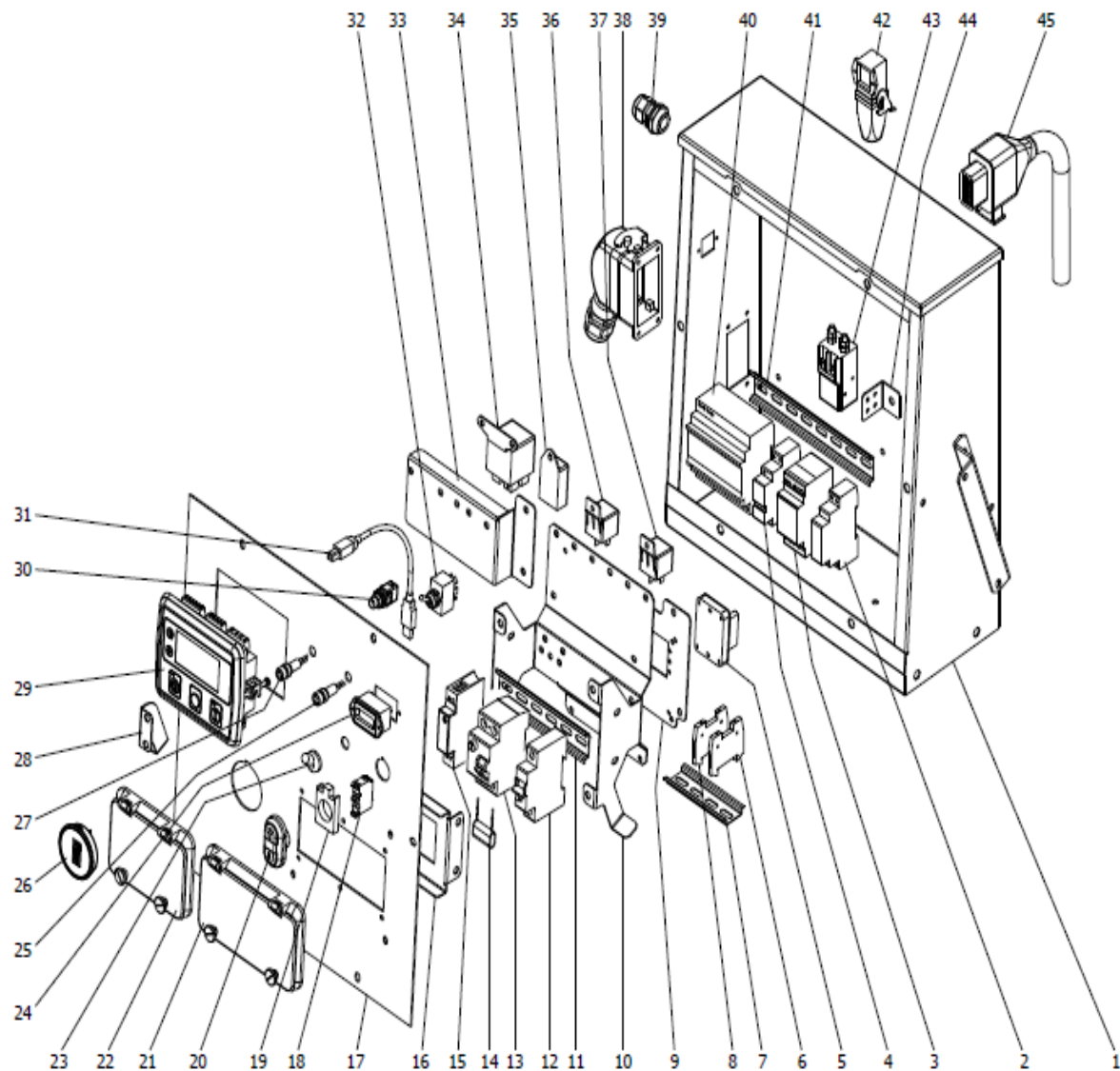
NO.	PART CODE	DESCRIPTION
1	AC000_G001_003	OIL DRAIN PIPE
2	XECOK2_C001_469	ENGINE RIGHT FRONT SUPPORT
3	AC000_M024_054	SCHOCK ABSORBER
4	XHY_C001_270	ENGINE / ALTERNATOR PLATFORM
5	AC000_M038_013	ALTERNATOR FIXING SCREW
6	AC000_E034_023	ALTERNATOR
7	XECOK2_C001_473	ENGINE LEFT FRONT SUPPORT
8	AC000_M038_014	ENGINE FIXING SCREW
9	XECOK2_C001_468	ENGINE LEFT REAR SUPPORT
10	AC000_M038_015	ENGINE SUPPORTS FIXING SCREW
11	YANMAR-2TNV70-SERVKIT	SERVICE KIT + WATER TRAP FILTER
12	XECOK2_C001_472	AIR FILTER SUPPORT
13	AC000_M033_031	ENGINE
14	TR-Y-25152003550	BELT
15	AC000_M024_091	SCHOCK ABSORBER
16	XECOK2_C001_466	SCHOCK ABSORBER PLATE
17	XECOK2_C001_462	RADIATOR FRAME
18	XECOK2_C001_464	FUEL FILTER SUPPORT
21	TR-Y-11922552102	AC PUMP
22	XECOK2_C001_467	RADIATOR INFERIOR SUPPORT
24	AS000_M000_060	OIL DRAIN PUMP
25	XECOK2_C001_470	ENGINE RIGHT REAR SUPPORT
26	TR-Y-11923312700E	AIR FILTER SECONDARY ELEMENT







NO.	PART CODE	DESCRIPTION
1	AC000_E018_019	CONNECTOR
2	XECOK2_C006_105	BOX
3	AC000_M038_035	EARTHING CLAMP
4	AC000_E011_010	230V 16A INLET
5	AC000_E006_051	EMERGENCY STOP BUTTON
6	AC000_E006_053	EMERGENCY STOP BUTTON RATING PLATE
7	XHY_S010_140B	INSTRUMENTS PLATE
8	AC000_E006_043	EMERGENCY STOP BUTTON BASE
9	AC000_E006_052	EMERGENCY STOP BUTTON CONTACT



NO.	PART CODE	DESCRIPTION
1	XHY_C019_290	CONTROL PANLE BOX
2	AC000_E006_084	TIMER RELAY
3	AC000_E006_198	CONTACTOR 25A 240V
4	AC000_E006_199	CONTACTOR 12Vdc
5	AC000_E014_027	MICRO PLC
6	AC000_E006_022	CLAMP TERMINAL
7	AC000_M038_049	BAR DIN L.100
8	AC000_E006_021	CLAMP
9	XHY_C006_161	SUPPORT
10	XHY_C006_288	CIRCUIT BREAKERS SUPPORT
11	AC000_M038_057	BAR DIN L.150
12	AC000_E012_027	LAMP SWITCH
13	AC000_E012_028	RCBO
14	AC000_E000_070	LIGHT SENSOR RELAY CAPACITOR
15	AC000_E016_005	LIGHT SENSOR RELAY
16	XHY_C006_299	CIRCUIT BREAKERS FRAME
17	XHY_S010_289B	INSTRUMENTS PLATE
18	AC000_006_042	MAST BUTTONS CONTACT
19	AC000_E006_043	MAST BUTTONS SUPPORT
20	AC000_E006_044	MAST BUTTONS
21	AC000_E000_025	CIRCUIT BREAKERS COVER
22	AC000_E000_024	BATTERY CHARGE LEVEL GAUGE COVER
23	AC000_E000_019	SWITCH COVER
24	AC000_E015_032	LAMPS HOUR METER

NO.	PART CODE	DESCRIPTION
25	AC000_E015_029	RED LAMP
26	AC000_E000_168	BATTERY CHARGER LEVEL GAUGE
27	AC000_E015_031	GREEN LAMP
28	XECOK2_C019_233	CONTROL PANEL LOCKING PLATE
29	AC000_E014_003	DSE L401
30	AC000_E006_197	PUSH BUTTON
31	AC000_E000_064	USB CABLE
32	AC000_E000_016	SWITCH
33	XHY_C006_301	INSTRUMENTS SUPPORT
34	TR-Y-11965077911	YANMAR RELAY SOLENOID
35	TR-Y-11965077910	YANMAR TIMER RELAY
36	AC000_E000_041	12V 70A RELAY
37	AC000_E000_040	12V 40A RELAY
38	AC000_G006_004	10 POLES CONNECTOR
39	AC000_E018_007	WIRE HOLDER
40	AC000_E006_200	BATTERY CHARGER
41	AC000_M038_037	BAR DIN L.200
42	AC000_E000_071	5 POLES CONNECTOR
43	AC000_E006_135	CONTACTOR 100A
44	XHY_C006_136	CONTACTOR BRACKET
45	AC000_G006_003	24 POLES CONNECTOR

**SPARE PARTS TEAM**[Spares@Trimeuk.com](mailto:Spares@Trimeuk.com)

**Norman Pipe**  
Operations/Spares Manager  
tel. 01480 220 500  
mob. 07495 670269  
[normanpipe@trimeuk.com](mailto:normanpipe@trimeuk.com)



**Marcus Wilson**  
Spares Part Sales  
tel. 01480 220 500  
[marcuswilson@trimeuk.com](mailto:marcuswilson@trimeuk.com)



**Wayne Brennan**  
Technical Director  
tel. 01480 220 500  
mob. 07494 654373



**Leighton Roberts**  
Technical Manager  
tel. 01480 220 500  
mob. 07375 664812



**Sally Gunn**  
Accounts Administrator  
tel. 01480 220 500  
mob. 07494 654373  
[admin@trimeuk.com](mailto:admin@trimeuk.com)



**Emma Cohen**  
Marketing Administrator  
tel. 01480 220 500  
[marketing@trimeuk.com](mailto:marketing@trimeuk.com)

**SALES TEAM**[Sales@Trimeuk.com](mailto:Sales@Trimeuk.com)

**David Gray**  
Sales Manger  
tel. 01480 220 500  
mob. 07939990958



**Mark Taylor**  
Sales Manger  
tel. 01480 220 500  
mob. 07539528017



**Andrew Owen**  
Sales Manger  
tel. 01480 220 500  
mob. 07983871870



**Paul Hay**  
Managing Director  
tel. 01480 220 500  
mob. 07836 522223



**Ray Caulfield**  
CEO  
tel. 01480 220 500  
mob. 07970140680