

Genuine Spare Parts



www.trimeuk.com



SERVICE KITS / ENGINE TYPE

To identify the correct service kit you will need two pieces of information from the data plate from you Light tower.

- Year
- Engine type

ENGINE TYPE \ YEAR	YEAR					
	2016	2017	2018	2019	2020	2021 - Present
Z482	Blue					
Z482-E		Orange	Orange	Orange		
Z482 (Stage 5)				Green	Green	Green
2TNV70 (Yanmar)					Black	Black

		1	
		2	
3		Type	4
5	6	Engine	
		7	
9	KVA	Alternator	
		8	
	V	10	Hz
	11	COS φ	13
	RPM	14	I.CL.
			15
			IP
			16
Dimensions L x W x H		17	
Weight		18	
SERIAL N°		19	

1. Manufacturer's logo
2. Manufacturer's address
3. Manufacture year
4. Machine model
5. CE Logo
6. Generator symbol
7. Engine type
8. Alternator type
9. Single phase machine
10. Rated voltage
11. Rated power
12. Frequency
13. Power factor
14. Engine speed
15. Insulation class
16. Degree of protection
17. Machine dimensions
18. Dry weight
19. Machine serial number

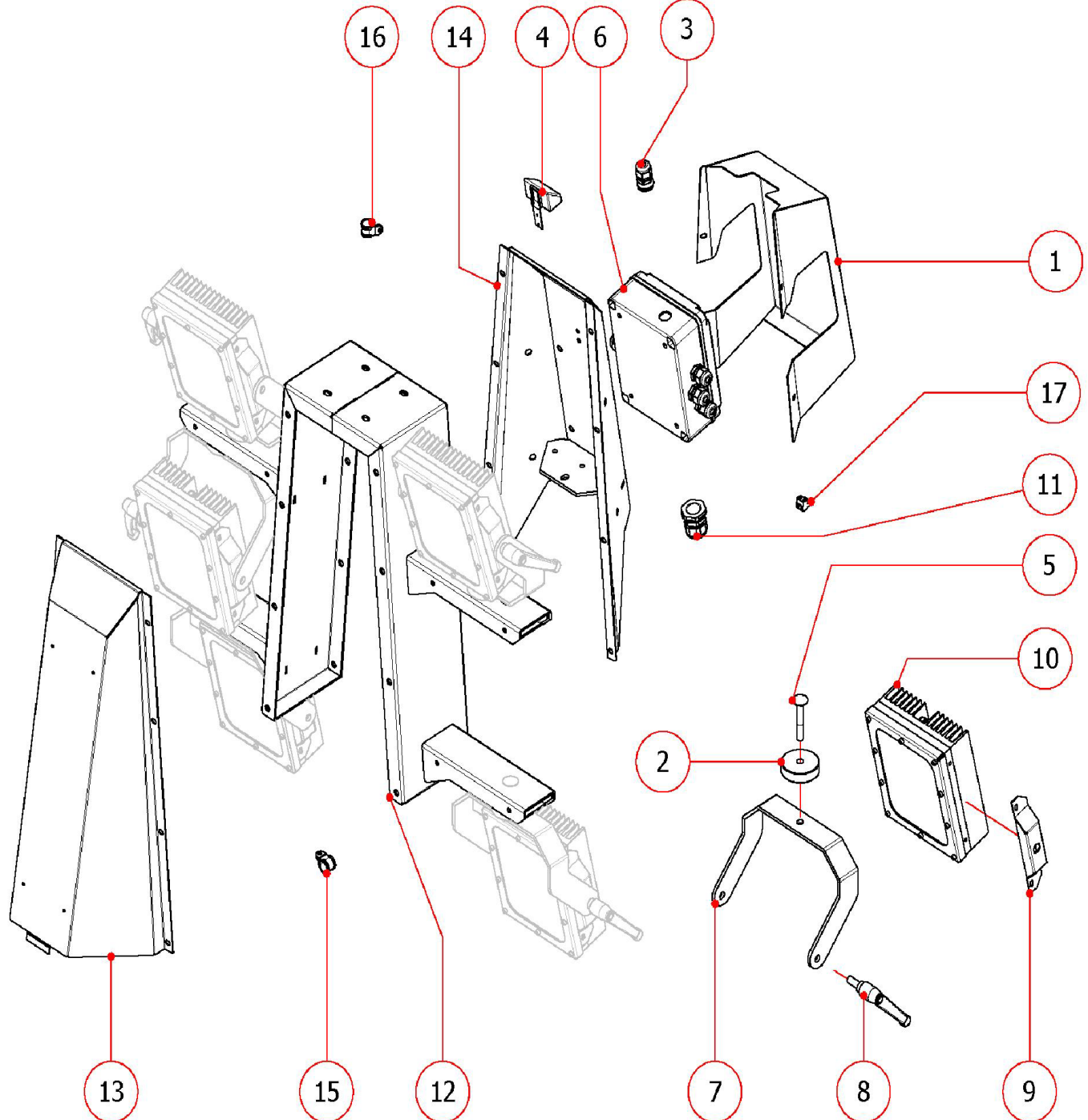


Please match the color circle to a manual on the next page

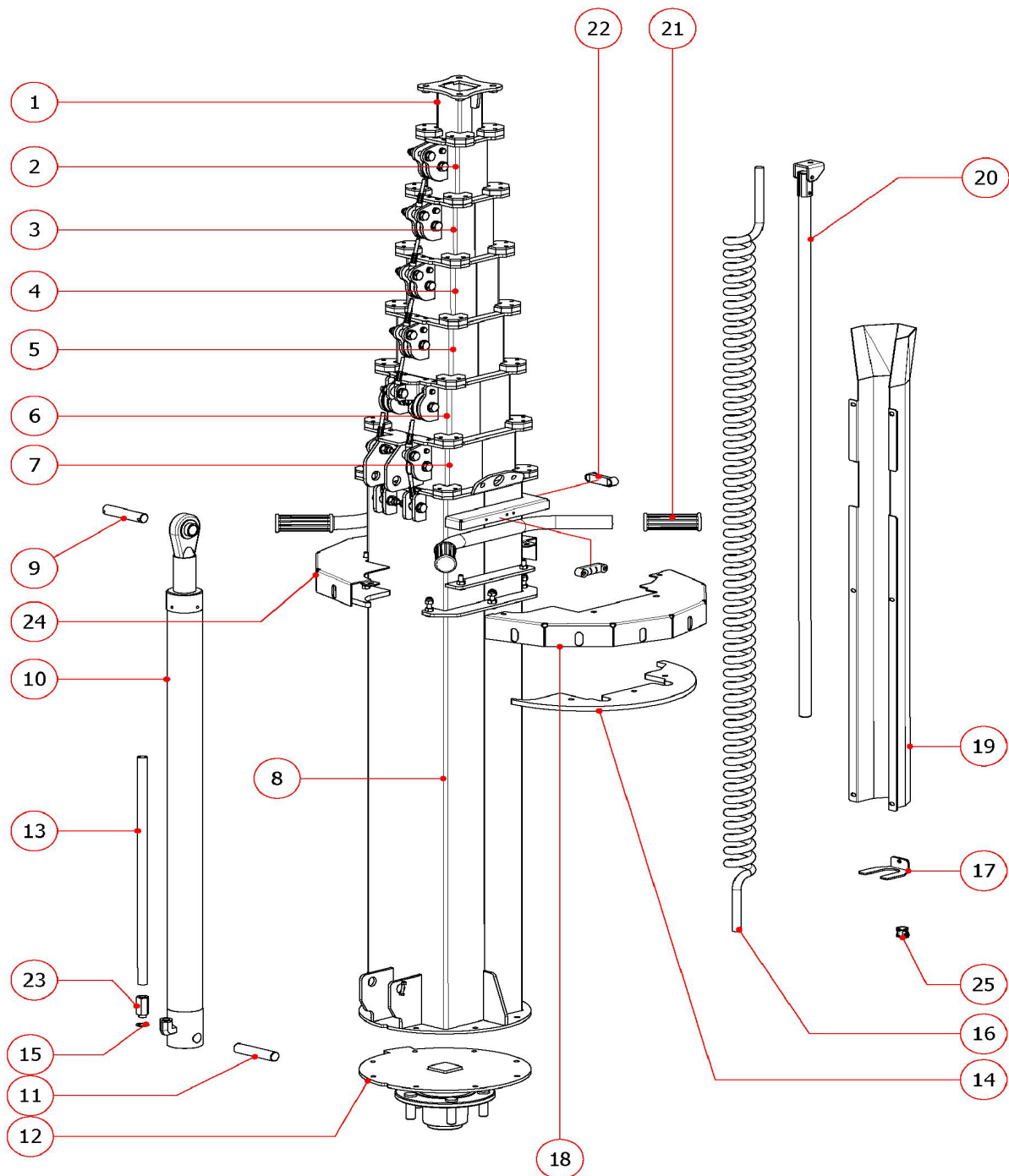


PAGE 3-13	Z482	BLUE	PAGE 14-21	Z482-E	ORANGE
3	FLOODLIGHTS		14	FLOODLIGHTS 150W	
4	MAST SECTIONS		15	FLOODLIGHTS 160W	
5	STEEL ROPES & PULLEYS		16	MAST	
6	BASE STRUCTURE		17	BASE	
7	FRONT & REAR STABILISERS		18	CANOPY	
8	FUEL TANK & ENGINE SUPPORT		19	TOWBAR , AXLE & WHEEL	
9	ENGINE		20	ENGINE	
10	TOW BAR & AXLE & WHEELS		21	CONTROL PANEL	
11	EXTERNAL CONTROL PANEL				
12	BODYWORK				
13	CONTROL PANEL				
PAGE 22-29	Z482 STAGE 5	GREEN	PAGE 30-38	2TNV70	BLACK
22	FLOODLIGHTS 160W		30	FLOODLIGHTS 160W	
23	STEEL ROPES & PULLEYS		31	MAST SECTIONS	
24	MAST SECTIONS		32	STEEL ROPES & PULLEYS	
25	BASE STRUCTURE		33	BASE STRUCTURE	
26	CANOPY		34	CANOPY	
27	TOW BAR, AXLE & WHEELS		35	TOW BAR & AXLE & WHEELS	
28	ENGINE		36	ENGINE	
29	EXTERNAL & INTERNAL CONTROL PANEL		37	CONTROL PANEL	
			38	EXTERNAL CONTROL PANEL	

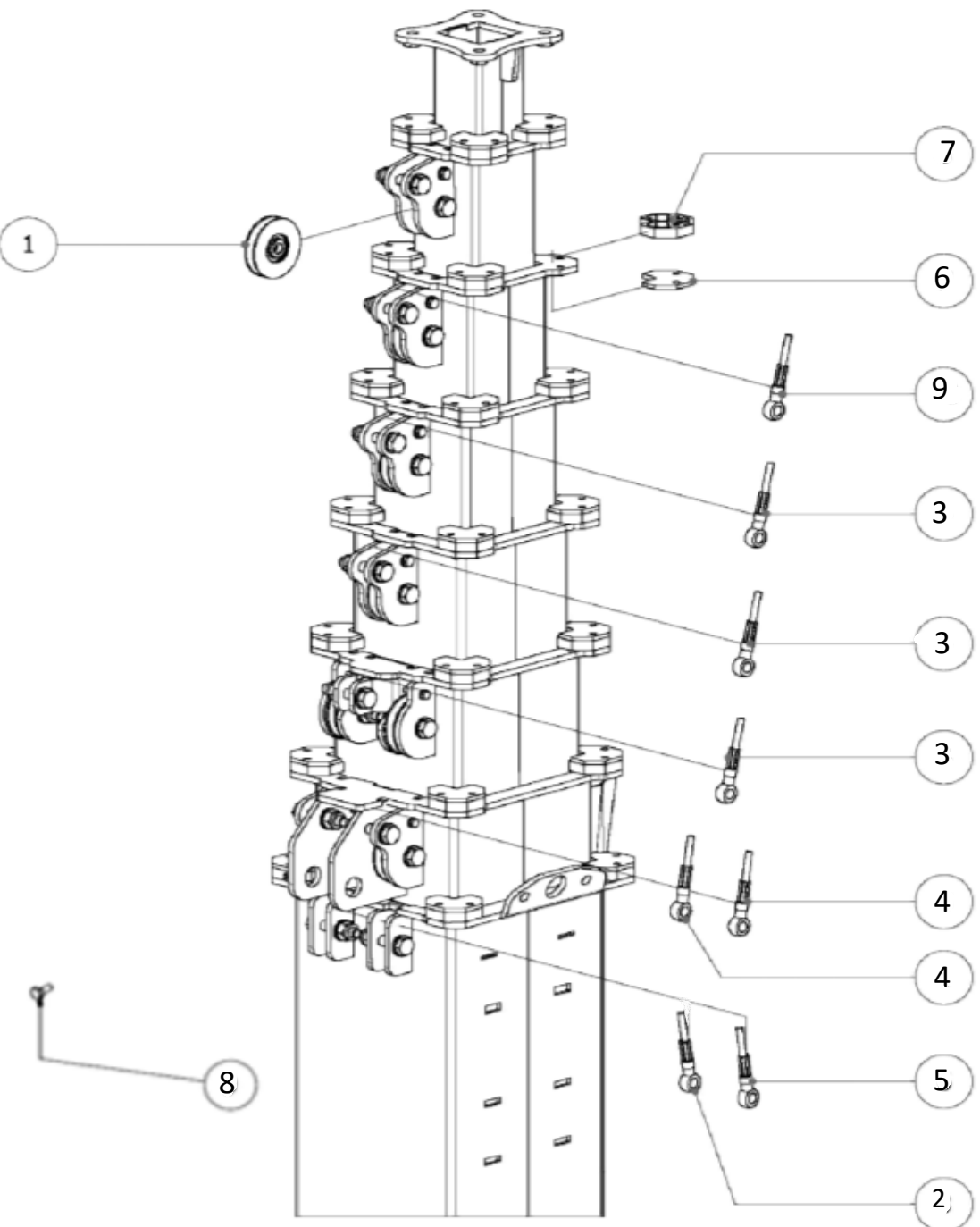




NO.	PART CODE	DESCRIPTION
1	LED 06_C000_08	JUNCTION BOX PROTECTION COVER
2	AS000_M023_001	ANTI-DRAG DISTANCER
3	AC000_E018_008	CABLE GLAND
4	AC000_E016_005	LIGHT SENSOR
5	AC000_M038_017	SCREW WITH BOW HEAD AND SQUARE UNDERHEAD
6	AS000_E006_001	JUNCTION BOX
7	LED 06_C000_09ZN	FRAME FOR LED FLOODLIGHT
8	AC000_M000_007	MULTIPOSITION HANDLE
9	LED 06_C000_07	LED SUPPORT BRACKET C/W NUT INSERT
10	AC000_E026_005	LED FLOODLIGHT (12 SPOT)
11	AC000_E018_002	CABLE GLAND
12	LED 06_C000_01	MAIN FRAME FOR LED FLOODLIGHT
13	LED 06_C000_012	FRONT SUPPORT STRUCTURE COVER
14	LED 06_C000_04	BACK SUPPORT STRUCTURE COVER
15	AC000_E018_018	CABLE CLAMP
16	AC000_M038_007	RUBBERIZED HOSE CLAMP
17	AC000_E006_002	2 POLES CLIP
	X-ECOFLEXREPAIRKIT	CABLE REPAIR MALE & FEMALE CONNECTER + CABLE



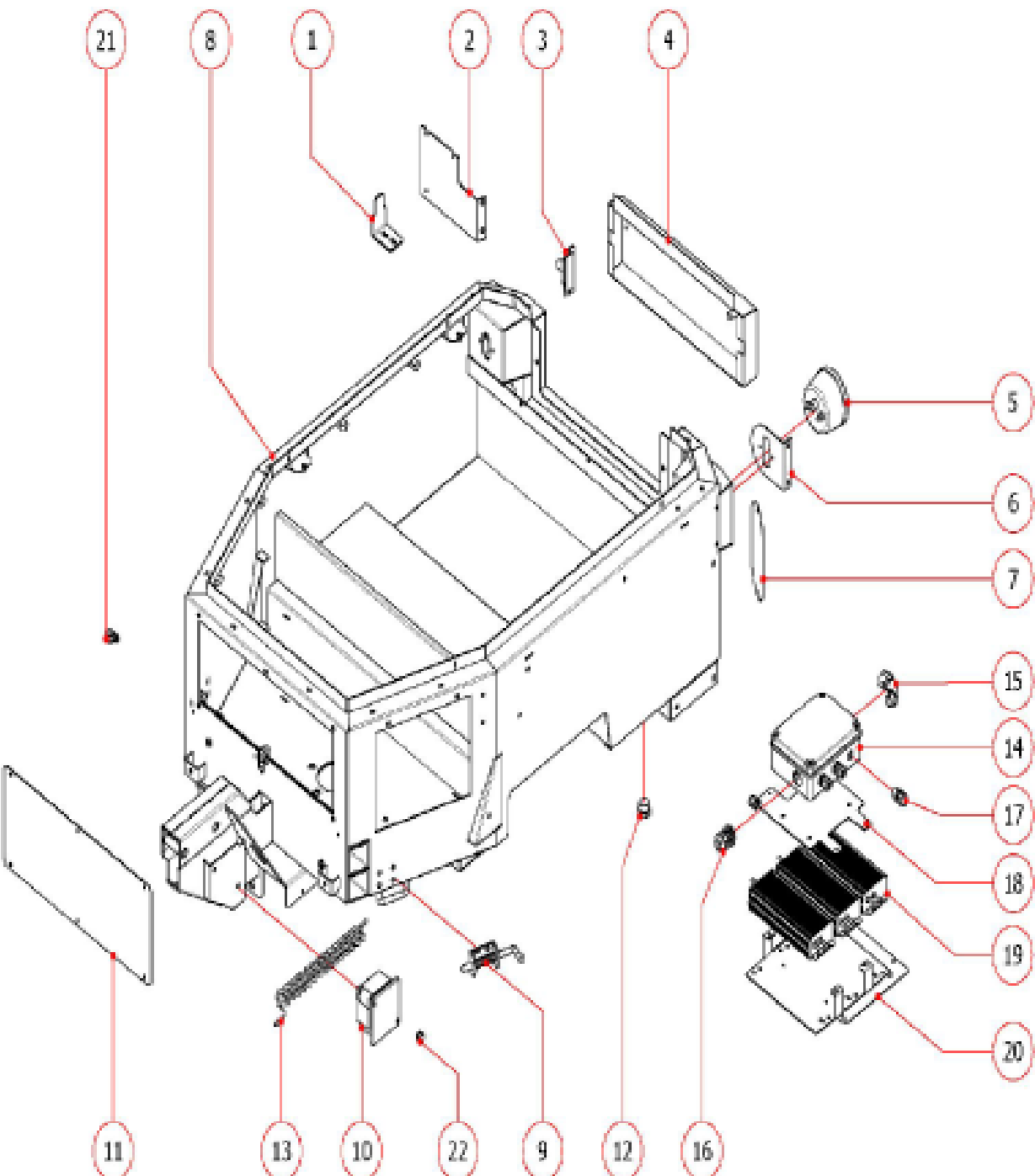
NO.	PART CODE	DESCRIPTION
1	PFI08_C031_008ZN	8° SECTION MAST
2	PFI08_C031_007ZN	7° SECTION MAST
3	PFI08_C031_006ZN	6° SECTION MAST
4	PFI08_C031_005ZN	5° SECTION MAST
5	PFI08_C031_004ZN	4° SECTION MAST
6	PFI08_C031_003ZN	3° SECTION MAST
7	PFI08_C031_002ZN	2° SECTION MAST
8	PFI08_C031_008	1° SECTION MAST
9	AS000_M023_026ZN	HYDRAULIC CYLINDER TOP PIN
10	AS000_I025_001	HYDRAULIC CYLINDER
11	AS000_M023_026ZN	HYDRAULIC CYLINDER BOTTOM PIN
12	PFI08_C031_011	MAST ROTATION PLATE
13	AC000_G025_001	HYDRAULIC PIPE KIT
14	PFI08_C031_015	DRAG FLANGE
15	AC000_I025_002	COPPER WASHER FOR HYDRAULIC VALVE
16	AC000_E006_016	COILED CABLE
17	PFM08_C000_047	COILED CABLE BOTTOM PLATE
18	PFI08_C031_019ZN	MAST ROTATION POSITIONING DEVICE, RIGHT
19	PFI08_C031_009	COILED CABLE PROTECTION
20	SI000_G000_001	COILED CABLE CENTERING ROD (COMPLETE)
21	AC000_P037_001	RUBBER HANDLE
22	AC000_M016_001	AIR BUBBLE LEVEL
23	AC000_I025_001	HYDRAULIC VALVE
24	PFI08_C031_018ZN	MAST ROTATION POSITIONING DEVICE, RIGHT
25	AC000_M038_007	RUBBERIZED HOSE CLAMP



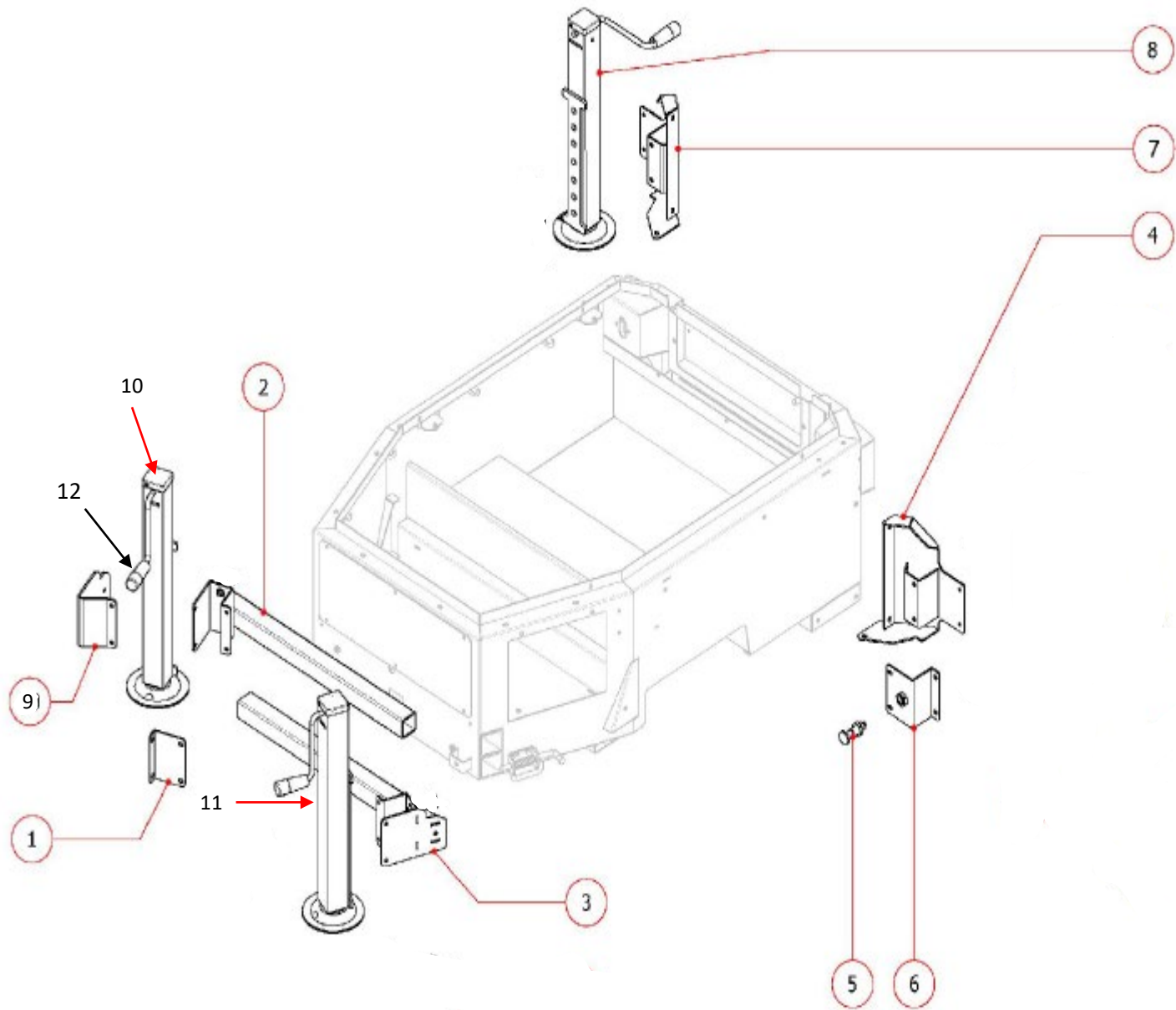
NO.	PART CODE	DESCRIPTION
1*	AC000_M021_002	PULLEY D. 60
1*	AC000_M021_001	PULLEY D. 58
1*	AC000_M021_003	PULLEY D. 62
1*	AC000_M021_008	PULLEY D. 63
2	AC000_M021_005	STEEL ROPE – L 1460 mm
3	AC000_M021_006	STEEL ROPE – L 1415 mm
4	AC000_M021_007	STEEL ROPE – L 1385 mm
5	AC000_M021_012	STEEL ROPE – L 1440 mm
6	PFI08_C031_012ZN	RUNNER REINFORCEMENT
7	AS000_M000_005	ANGULAR RUNNER
8	AS000_M000_029	SCREW
9	AC000_M021_004	STEEL ROPE – L 1440 mm

* PLEASE MEASURE THE PULLEY SIZE BEFORE ORDERING *

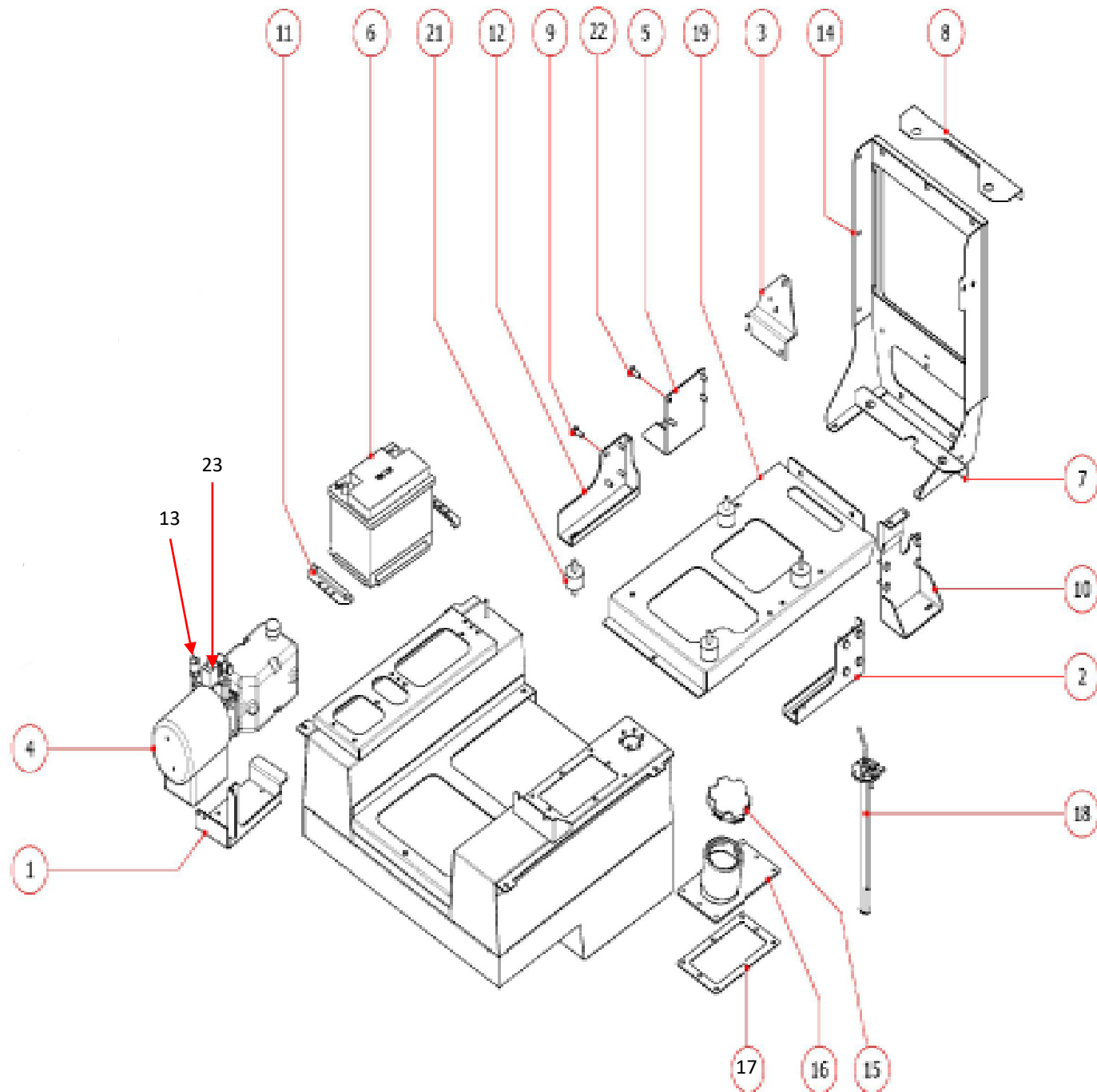




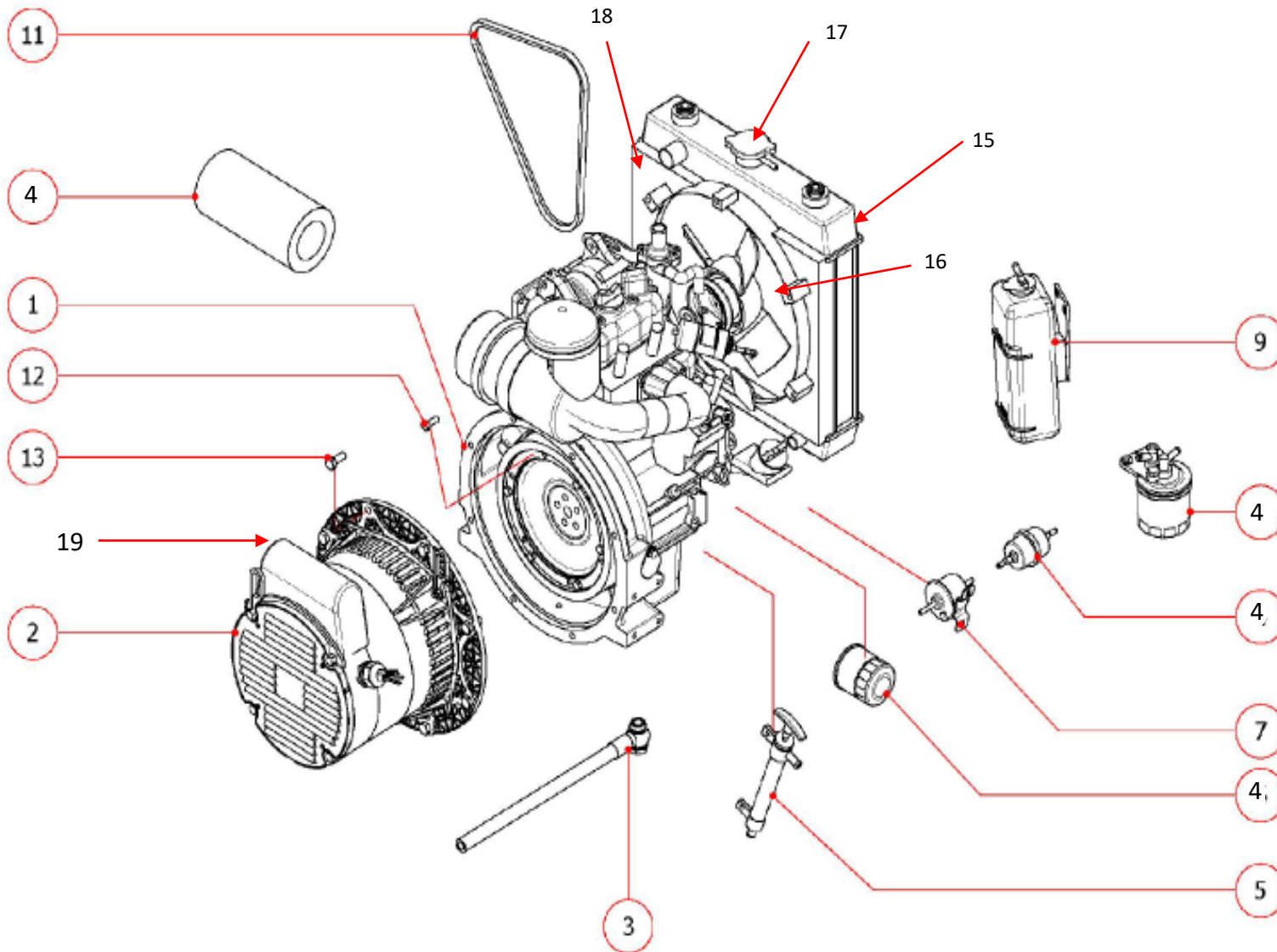
NO.	PART CODE	DESCRIPTION
1	XRENT_C000_037	ANTIROTATION PLATE
2	XECOK2_C006_111	PLATE
3	SE000_E013_002	LIGHT FOR REGISTRATION PLATE
4	XECOK2_C004_034	REAR FRAME CLOSING PLATE
5A	AC000_E013_002	MULTIFUNCTION REAR LIGHT
5B	AC000_T003_059	MULTIFUNCTION REAR LIGHT LENS
6	XECOK2_C006_051	SUPPORT PLATE FOR REAR LIGHT
7	XECOK_C000_042	REAR FRAME CLOSING PLATE
8	XECOK2_C004_001	MAIN BASE STRUCTURE
9	AC000_M006_086	CLOSING LOCK PIN
10a	AC000_G006_006	ELECTRICAL BOX (1in 1out)
10b	AC000_G006_001	ELECTRICAL BOX (1in 2out)
11	XECOK2_C008_036	FRONT FRAME CLOSING PLATE
12	AC000_M000_081	DRAIN CAP
13	AC000_E013_001	COILED CABLE & ELECTRICAL CONNECTOR FOR TOWING
14	AS000_E006_003	ELECTRICAL BOX
15	AC000_E018_017	90° CONNECTION GUIDE
16	AC000_E018_002	CABLE GLAND
17	AC000_E018_008	CABLE GLAND
18	XECOK2_C000_068	SUPPORT PLATE FOR ELECTRICAL BOX
19	AC000_E026_088	POWER SUPPLY / DRIVER
20	XECOK2_C006_049	SUPPORT SHEET
21	AC000_E018_023	RUBBERIZED HOSE CLAMP
22	AC000_E006_002	2 POLES CLAMP



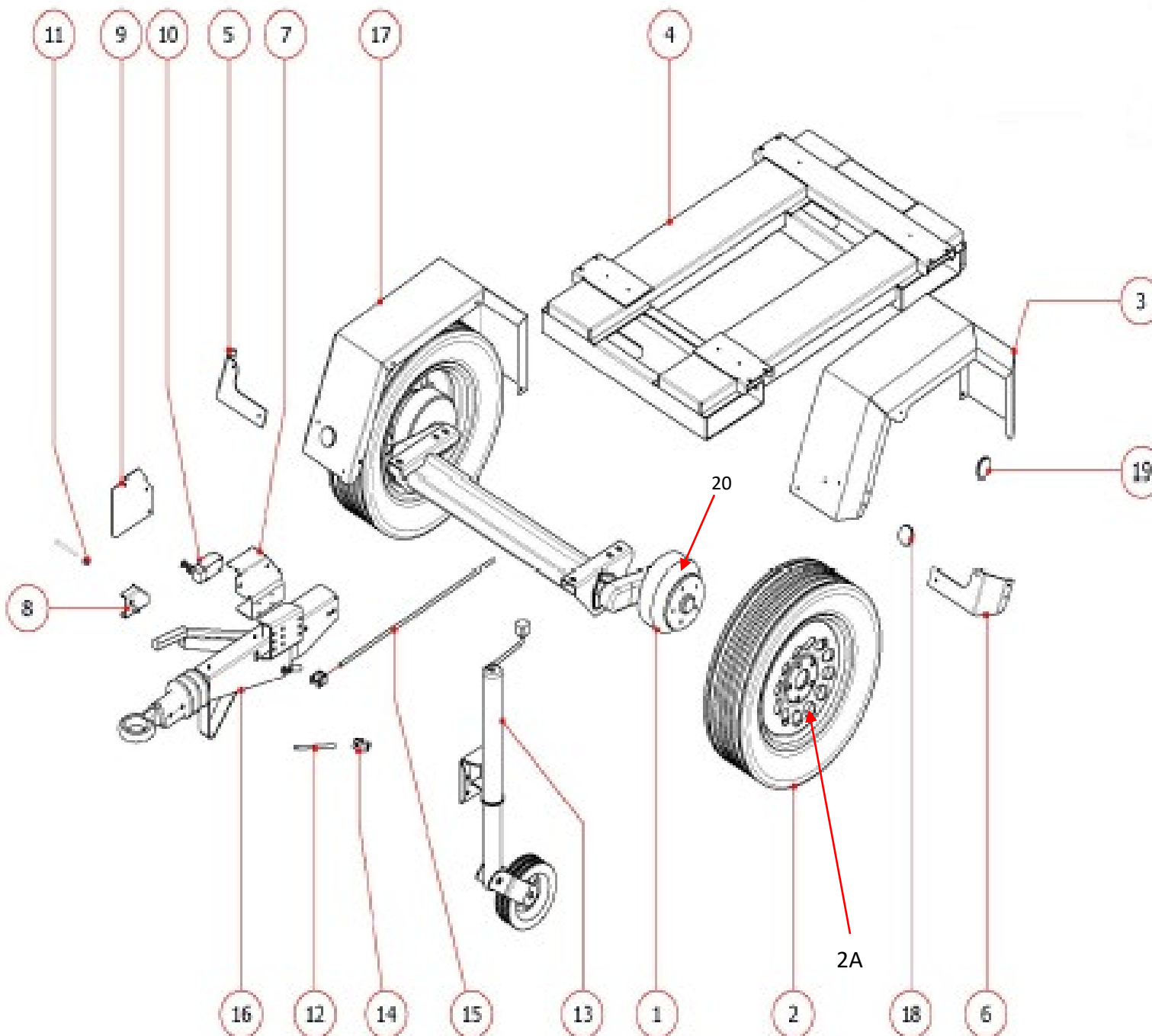
NO.	PART CODE	DESCRIPTION
1	XECOK2_C000_117	FRONT FIXING PLATE FOR STABILIZER BEAM
2	XECOK2_C000_120ZN	OFFSIDE STABILIZER BEAM
3	XECOK2_C000_119ZN	NEARSIDE STABILIZER BEAM
4	XECOK2_C000_095	REAR NEARSIDE STABILIZER SUPPORT
5	AC000_M000_077	PIN LOCK WITH SPRING
6	XECOK2_C000_096	REAR FIXING PLATE FOR STABILIZER BEAM
7	XECOK2_C000_097	REAR OFFSIDE STABILIZER SUPPORT
8	XECOK2_C003_156	STABILIZER
9	XECOK2_R008_190	STABILISER RUBBER BUFFER
10	AC000_M000_061	STABILISIER CAP COVER
11	XECOK2_C003_200	FRONT STABILISIER
12	AC000_M000_016	STABILISIER HANDLE



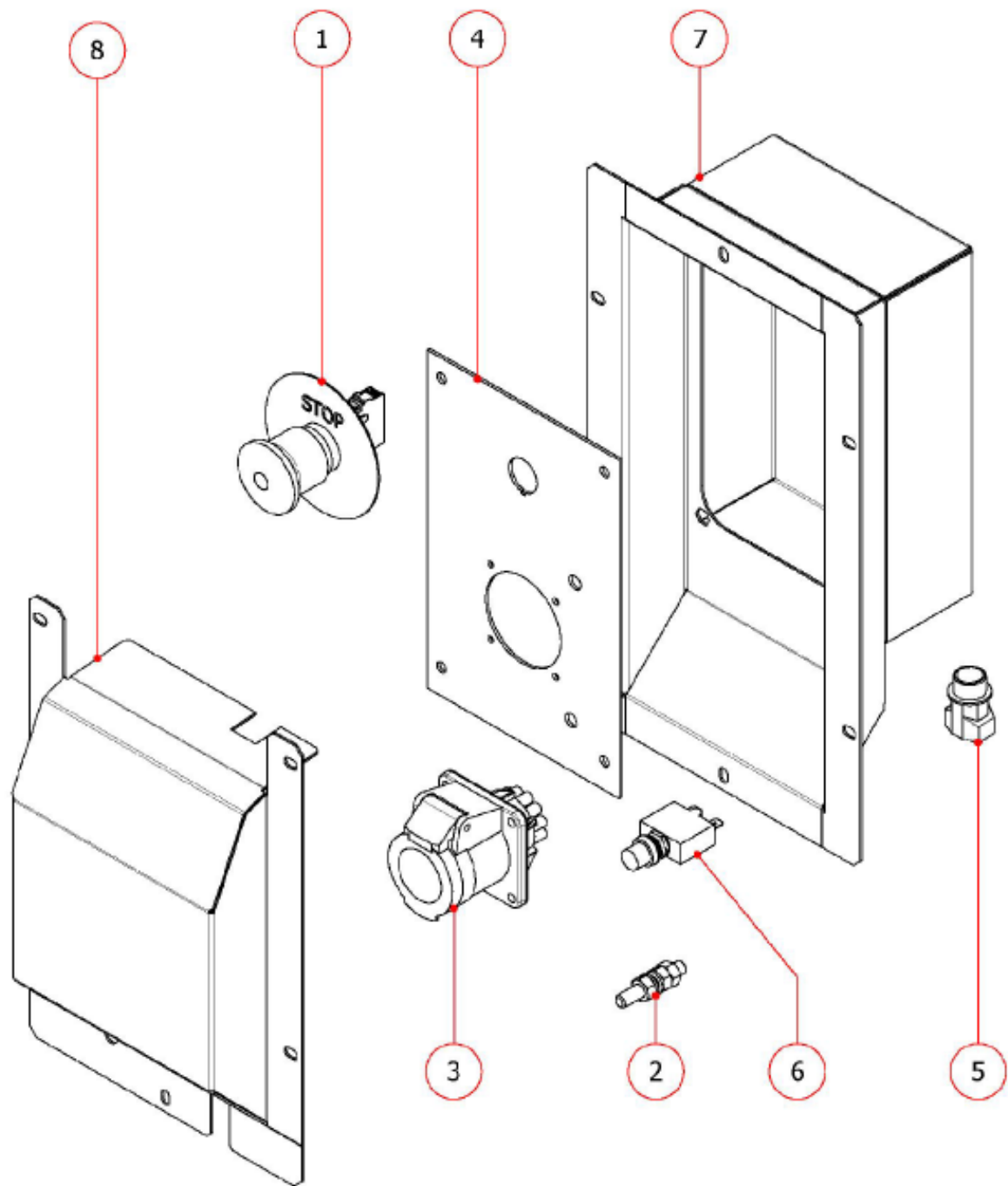
NO.	PART CODE	DESCRIPTION
1	XECOK2_C000_084	CONTROL UNIT SUPPORT
2	XECOK2_C001_007	ALTERNATOR RIGHT SUPPORT
3	XECOK_C001_053	AIR FILTER SUPPORT
4A	AS000_I000_017	HYDRAULIC UNIT (HYDROVEN)
4B	AS000_I000_011	HYDRAULIC UNIT (ASG)
5	XECOK2_C001_005	ENGINE RIGHT SUPPORT
6	AC000_E000_027	BATTERY
7	XECOK2_C001_003	RADIATOR LOWER SUPPORT
8	XECOK2_C001_004	RADIATOR UPPER SUPPORT
9	AC000_M038_015	SCREW
10	XECOK2_C001_006	ENGINE LEFT SUPPORT
11	TF8K1_C000_014	BATTERY HOLDER
12	XECOK2_C001_008	LEFT ALTERNATOR SUPPORT
13	AS-K4TAF1/P1	HYDRAULIC PRESSURE SWITCH
14	XECOK2_C001_002	RADIATOR SUPPORT FRAME
15	AC000_M000_028	FUEL TANK CAP
16	XECOK2_C005_149	TANK PLATE
17	XECOK_AS05_009	TANK SEAL
18	AC000_E006_025	LEVEL GAUGE
19	XECOK2_C001_001	GENPACK SUPPORT
20	XECOK2_C005_010	FUEL TANK
21	AC000_M024_054	ANTIVIBRATION BUFER
22	AC000_M038_015	SCREW
23	X-ECOLECTROVALVE	COMPLETE ELECTROVALVE



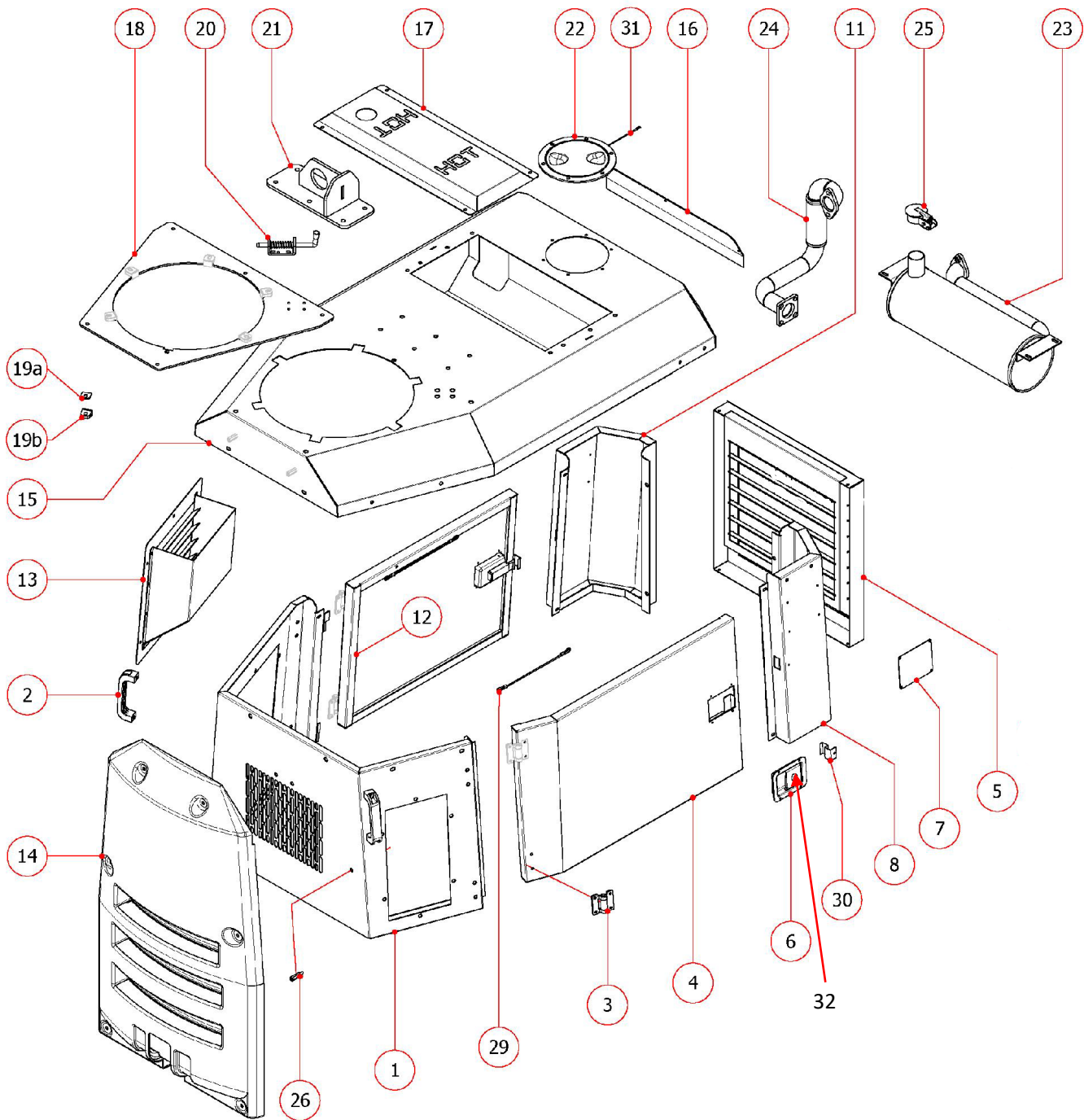
NO.	PART CODE	DESCRIPTION
1	SI000_M033_001	KUBOTA Z482 ENGINE
2	AC000_E034_001	3,5 kVA ALTERNATOR (Mecce Alte)
3	AC000_G001_001	OIL DRAIN KIT
4	X-ECOSERVKIT	SERVICE KIT (FUEL,AIR,OIL FILTER)
5	AS000_M000_060	MANUAL PUMP FOR OIL DRAINAGE
7	TR-R1401-51352	AC PUMP
9	TR-15531-72402	EXPANSION TANK
11	TR-15881-97010	BELT
12	AC000_M038_014	BOLT
13	AC000_M038_013	BOLT
14	SE000_E050_001	COMPLETE ENGINE WIRING LOOM
15	TR-1G952-72060	RADIATOR
16	TR-1G639-74120	FAN FINGER GUARD
17	TR-17580-16060	RADIATOR CAP
18	TR-1G952-72330	-199- COWLING
19A	M-9910303094	16UF CAPACITOR
19B	M-9910303102	20UF CAPACITOR
19C	L-EX541511025	25UF CAPACITOR
	TR-17531-64013	CHARGING DYNAMO
	TR-15841-39010	OIL PRESSURE SWICTH
	TR-16853-63013	STARTER MOTOR
	TR-1G65160010	FUEL SOLENOID
	TR-16853-36410	DIPSTICK



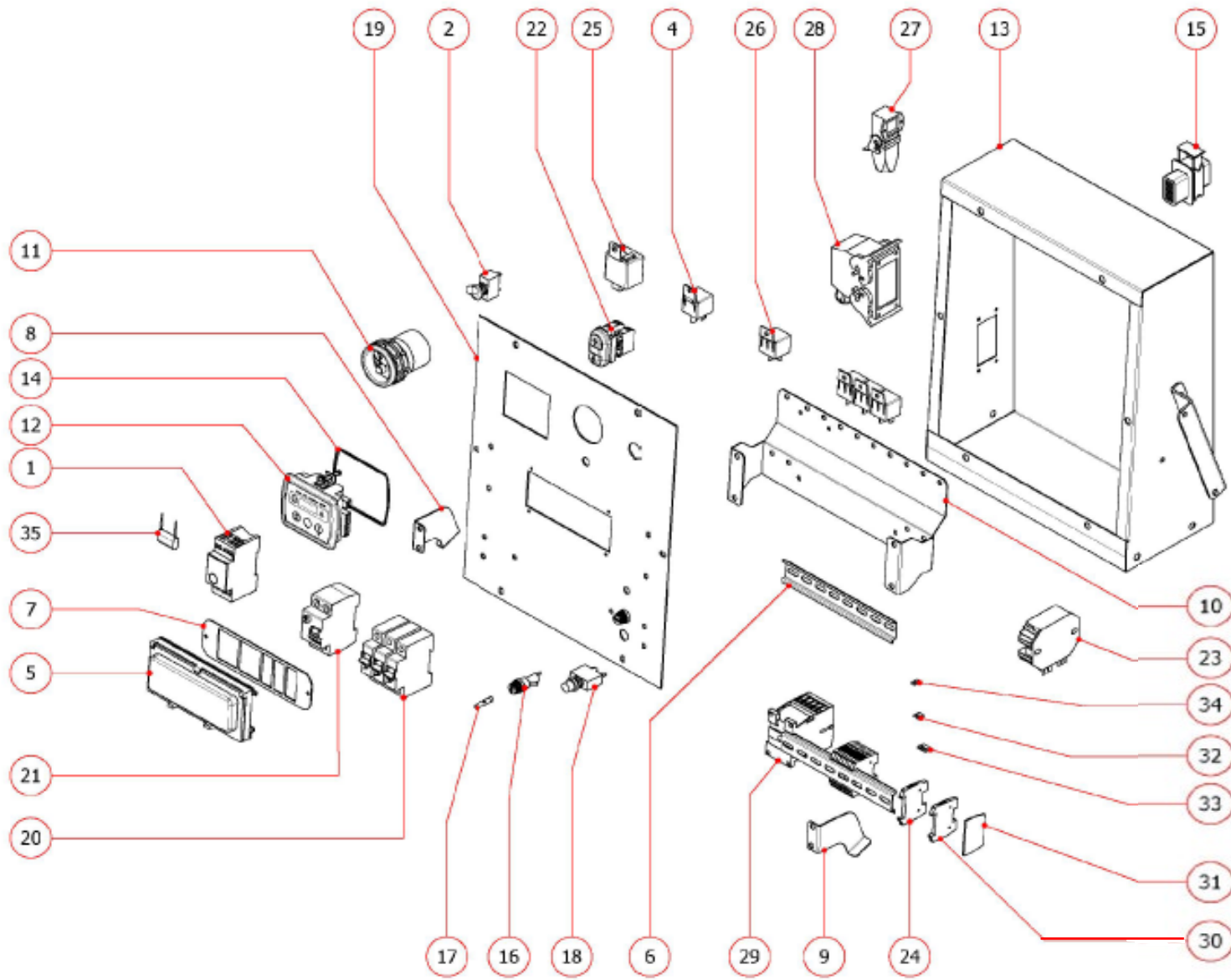
NO.	PART CODE	DESCRIPTION
1	AC000_T003_002	AXLE 1300 Kg (AL-KO)
2	AC000_T003_001	WHEEL WITH RIM (175/13)
2A	TR-2081670018	WHEEL BOLTS (AL-KO)
3	XECOK2_C004_070	OFFSIDE MUDGUARD
4	XECOK2_C000_103	FRAME FOR FORKLIFT
5	ECOK2_R008_189	RUBBER BUFFER FOR MUDGUARD
6	ECOK2_R008_189	RUBBER BUFFER FOR MUDGUARD
7	XECOK2_C000_099	SUPPORT CLAMP FOR TOUCH SENSOR
8	XECOK2_C000_098	TOUCH SENSOR
9	XECOK2_C000_100	COVER PLATE
10	SI000_E006_009	LIMIT SWITCHES
11	XECOK2_C000_101ZN	ADAPTATION BUSHING
12	XECOK2_C005_059_03	BRAKE ROD FIRST PART
13	AC000_T003_003	JOCKEY WHEEL
14	XECOK2_C005_186	TIE-ROD JUNCTION
15	XECOK2_C005_055	BRAKE ROD (670mm)
16	AC000_T003_004	TOW BAR
17	XECOK2_C004_069	NEARSIDE MUDGAURD
18	AC000_T013_001	WHITE REFLECTOR
19	AC000_T013_002	ORANGE REFLECTOR
20	TR-1732461	BRAKE SHOES KIT (AL-KO)
	TR-247282	BRAKE CABLES (AL-KO)



NO.	PART CODE	DESCRIPTION
1	SI000_G006_010	EMERGENCY STOP BUTTON
2	AC000_M038_035	GROUNDING CABLE CLIP
3	AC000_E011_007	OUTLET SOCKET 230V 16A
4	XECOK2_S010_164B	FRONT SUPPORT PLATE
5	AC000_E018_019	CABLE GLAND (STRAIGHT)
6	AC000_E012_013	THERMIC OVERCURRENT CIRCUIT BREAKER
7	XECOK2_C006_097	EXTERNAL BOX
8	XECOK2_C000_155	PROTECTION FOR SOCKETS

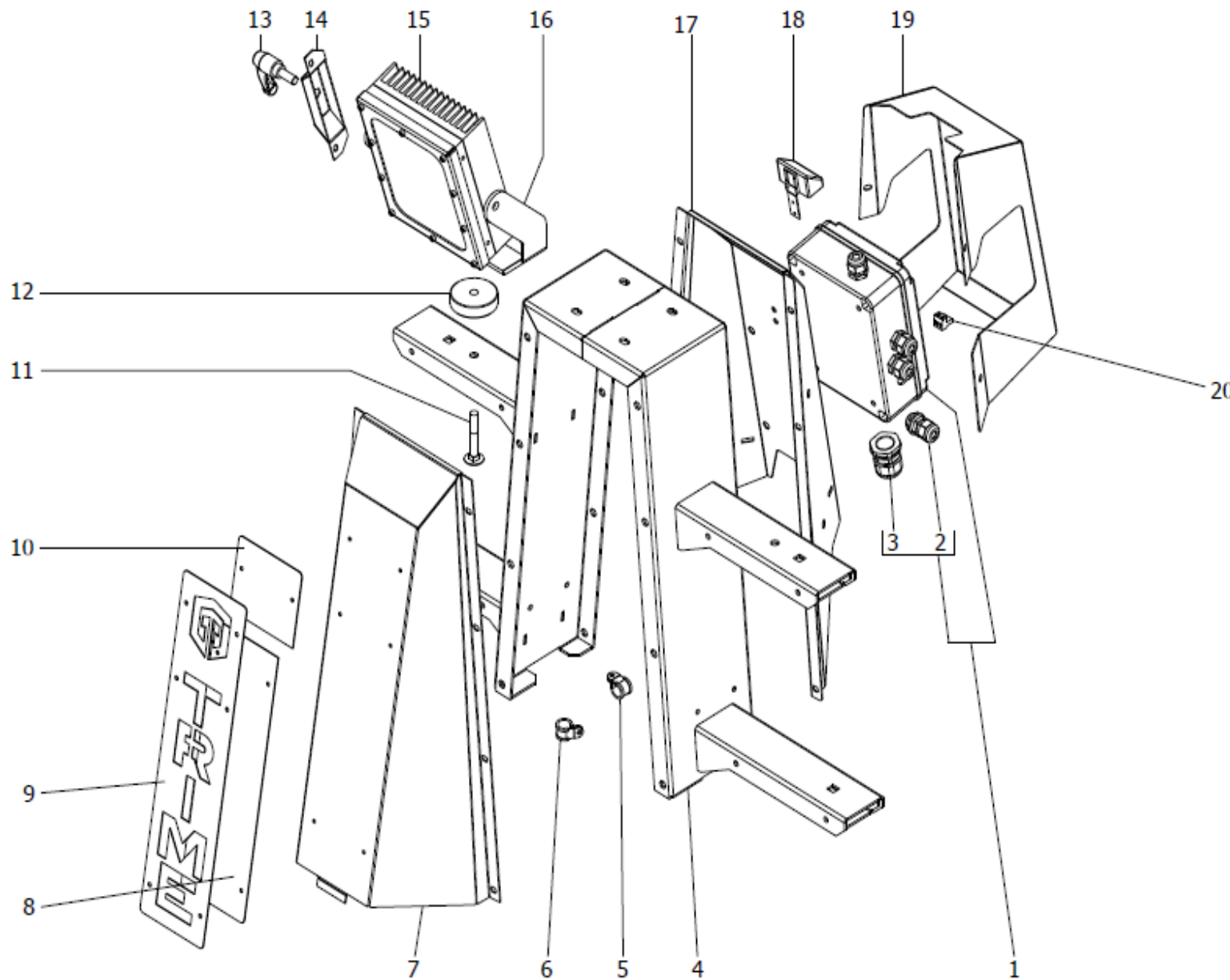


NO.	PART CODE	DESCRIPTION
1	XECOK2_C007_046	FRONT BODY PANNEL
2	AC000_M000_005	HANDLE
3	AC000_M000_009	INOX DOOR HINGE
4	XECOK2_C008_039	NEAR SIDE DOOR
5	XECOK2_C008_167	RADIATOR GRILLE
6	AC000_M000_017	HANDLE WITH LOCK
7	AS000_M010_061B	TYPE PLATE
8	XECOK2_C007_134	REAR NEARSIDE PILLAR
11	XECOK2_C007_133	REAR OFFSIDE PILLAR
12	XECOK2_C008_041	OFFSIDE SIDE DOOR
13	XRENT_C008_044	AIR INTAKE GRILLE
14	XECO_AS009_058	FRONT COVER
15	XECOK2_C007_112	TOP COVER
16	XECOK2_C007_113	REAR TOP CLOSING PANEL
17	XECOK_C007_032	SILENCER COVER
18	XECOK2_C000_050	MAST ROTATION GUIDE PLATE
19A	PFI08_C031_014	ROTATIONAL AND DRAG PLATE
19B	PFI08_C031_013	ROTATIONAL AND DRAG RUNNER
20	AC000_M000_003	CLOSING LOCK PIN
21	XECOK2_C036_386ZN	LIFTING EYE
22	AC000_M001_035	RADIATOR CAP COVER
23	XECOK2_C035_045	SILENCER
24	SI000_G035_001	EXHAUST PIPE
25	AC000_M000_105	EXHAUST ANGLE
26	PLASTICFRONTCOVERKIT	SPACER/FIXING KIT
29	AS000_M036_081	DOOR RETENTION ROPE
30	XRENT_C000_040	LOCKNG PIN CONTRAST PLATE
31	AS000_G031_083	RADIATOR CAP COVER RETENTION ROPE
32	AC000_M000_137	DOOR KEY

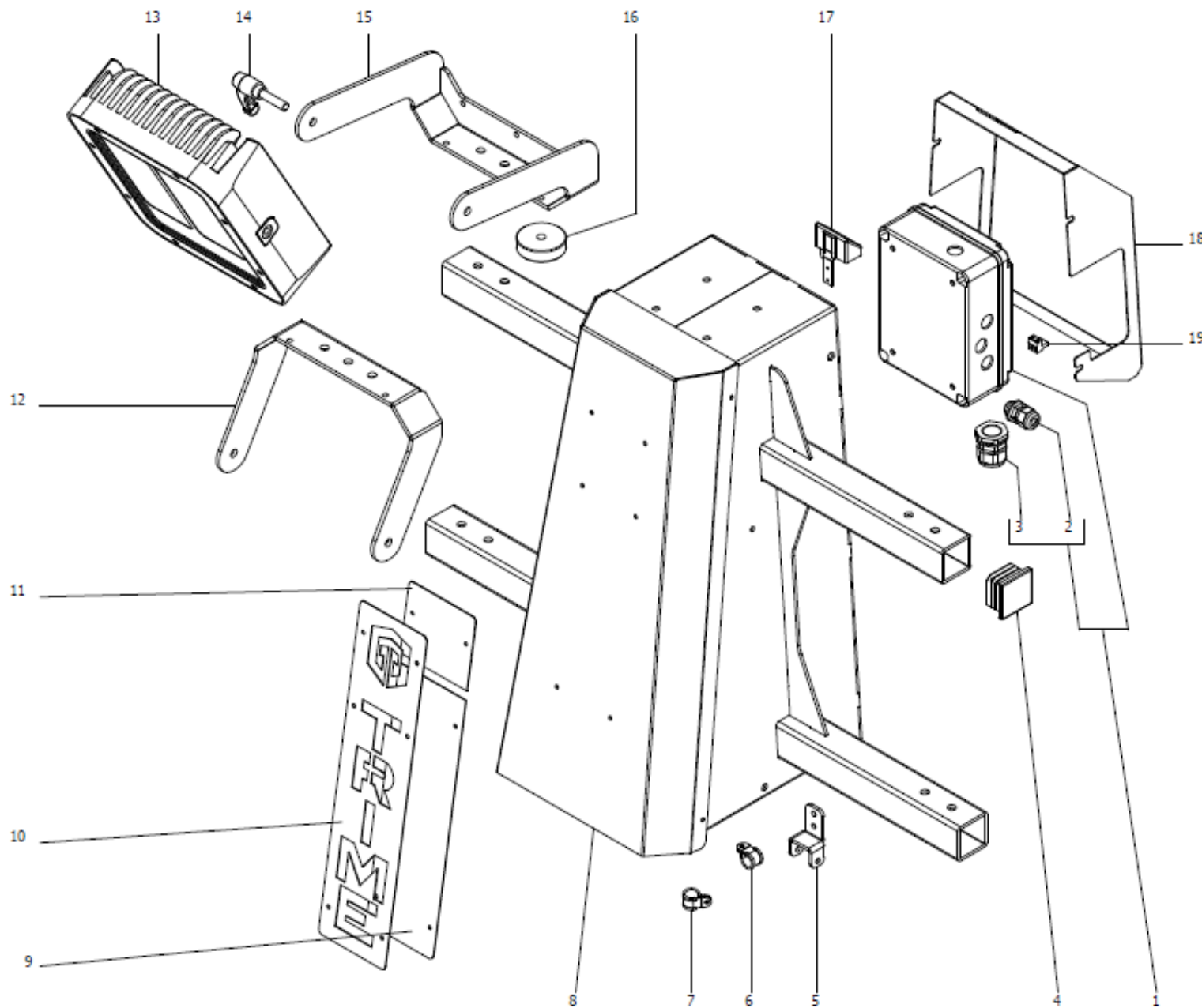


NO.	PART CODE	DESCRIPTION
1	AC000_E016_005	LIGHT SENSOR
2	SI000_G006_003	SWITCH
4	AC000_E000_041	12V - 70° RELAY
5	AC000_E000_008	CIRCUIT BREAKERS PROTECTION MASK
6	AC000_M038_037	DIN BAR L 200
7	XRENT_C006_069	CIRCUIT BREAKER SUPPORT
8	X-BOELS_C019_107	LEFT STOP
9	X-BOELS_C019_108	RIGHT STOP
10	XECOK2_C006_110	INSTRUMENT HOLDER
11	AC000_E015_005	FUEL LEVEL INDICATOR
12	AC000_E014_001	MACHINE ELECTRONIC CONTROL UNIT
13	XECOK2_C019_169	MAIN CONTROL BOX
14	AC000_E006_001	GASKET FOR ELECTRONIC CONTROL UNIT
15	AC000_G006_003	24 POLES CONNECTOR
16	AC000_E012_030	FUSES HOLDER
17A	AC000_E012_014	2A FUSE
17B	AC000_E012_015	3A FUSE
18	AC000_E012_013	CIRCUIT BREAKER 12A
19	XECOK2_S010_165B	FRONT PANEL
20	AC000_E012_027	CIRCUIT BREAKER 16A
21	AC000_E012_028	CIRCUIT BREAKER 13A
22	SI000_G006_006	MAST CONTROL BUTTON KIT
23	TR-RP20153710	BATTERY CHARGER REGULATOR
24	AC000_E006_021	DIN PLATE CLAMP
25	TR-T007031410	TIMER
26	AC000_E000_040	12V - 30A RELAY
27	AC000_E000_071	5 POLES CONNECTOR
28	AC000_G006_004	10 POLES CONNECTOR
29	AC000_E006_054	CONTACTOR SWITCH

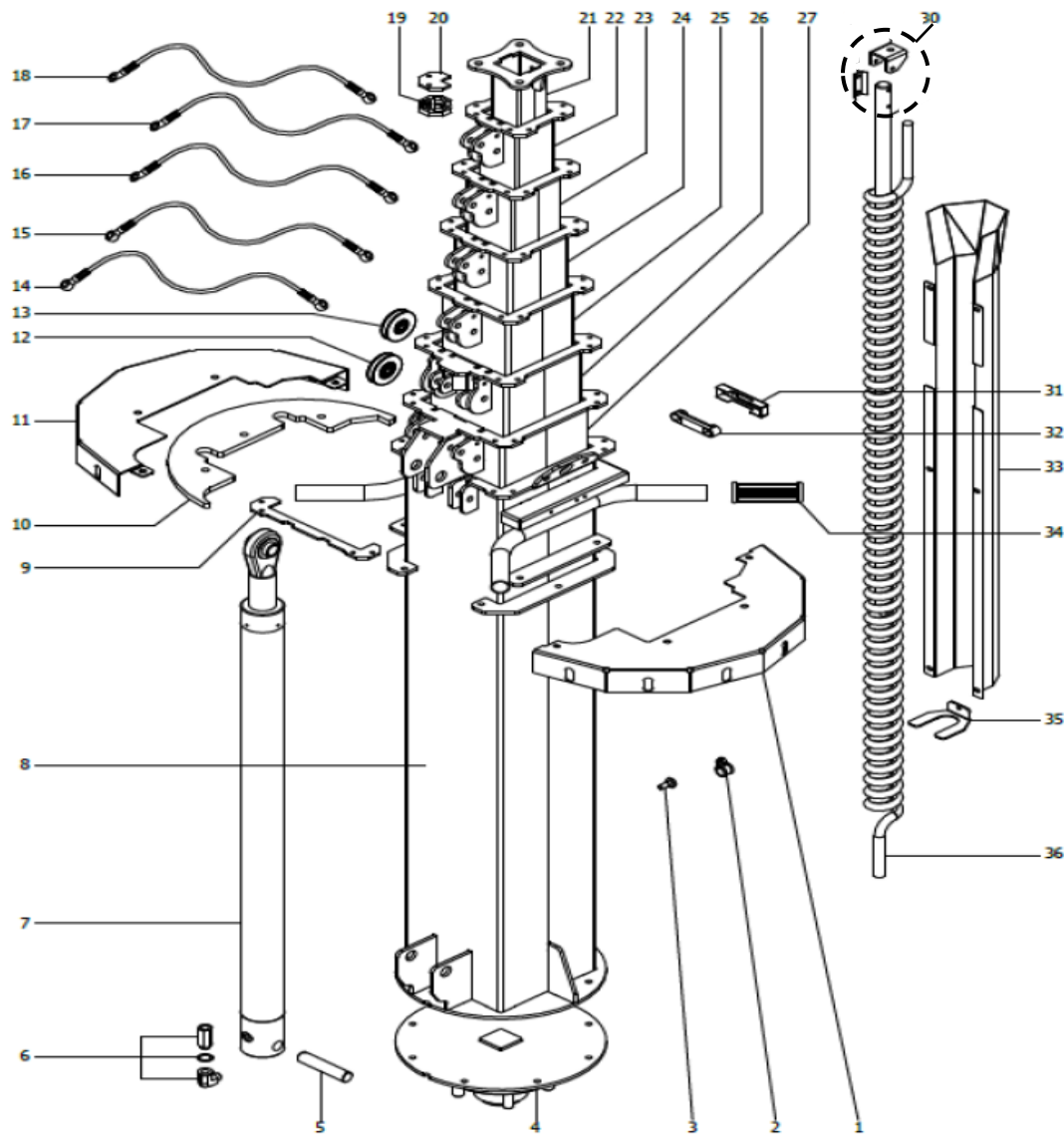
30	AC000_E006_022	FINAL ELEMENT FOR TERMINAL BOARD	33	AC000_E006_063	4 POLES BRIDGE
31	AC000_E006_024	COVER	34	AC000_E006_023	2 POLES BRIDGE
32	AC000_E006_062	3 POLES BRIDGE	35	AC000_E000_070	4.7UF CAPACITOR



NO.	PART CODE	DESCRIPTION
1	AS000_E006_001	JUNCTION BOX
2	AC000_E018_008	PG11 WIRE HOLDER
3	AC000_E018_002	PG21 WIRE HOLDER
4	LED06_C000_01	CENTRAL SUPPORT
5	AC000_E018_018	CLAMP WITH RUBBER
6	AC000_M038_007	CABLE CLIP
7	LED06_C000_012	FRONT COVER
8	PFM08_C000_071	WHITE PLATE
9	PFM08_C000_070	LOGO PLATE
10	PFM08_C000_072	RED PLATE
11	AC000_M038_017	SPACER SCREW
12	AS000_M023_001	SPACER
13	AC000_M000_007	HANDLE
14	LED06_C000_07	HANDLE SUPPORT
15	AC000_E026_005	150w 12 SPOT FLOODLIGHT
16	LED06_C000_09ZN	FLOODLIGHT SUPPORT
17	LED06_C000_04	REAR COVER
18	AC000_E016_005	LIGHT SENSOR
19	LED06_C000_08	JUNCTION BOX COVER
20A	AC000_E006_002	2 POLE ELECTRICAL CLAMP
20B	AC000_E006_004	5 POLE ELECTRICAL CLAMP
	X-ECOFLEXREPAIRKIT	CABLE REPAIR MALE & FEMALE CONNECTER + CABLE

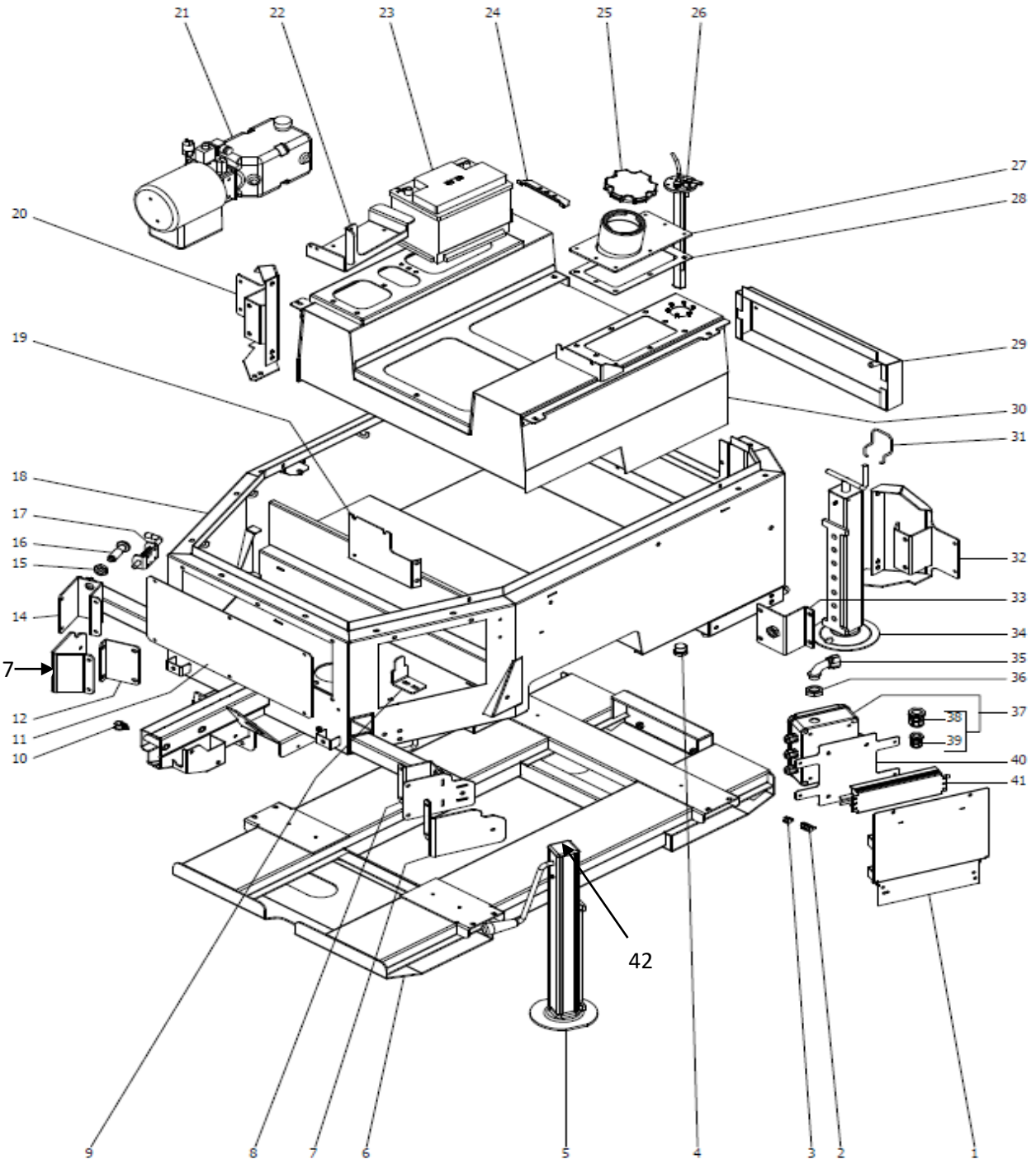


NO.	PART CODE	DESCRIPTION
1	AS000_E006_001	JUNCTION BOX
2	AC000_E018_008	PG11 WIRE HOLDER
3	AC000_E018_002	PG21 WIRE HOLDER
4	AC000_P037_010	CAP
5	PFI08_C031_069	CENTERING PLATE
6	AC000_E018_018	CLAMP WITH RUBBER
7	AC000_M038_007	CABLE CLIP
8	LED06_C000_080	CENTRAL SUPPORT
9	PFM08_C000_071	WHITE PLATE
10	PFM08_C000_070	LOGO PLATE
11	PFM08_C000_072	RED PLATE
12	LED04_C000_101ZN	FLOODLIGHT LOWER / CENTRAL BRACKET
13	AC000_E026_087	160w 48 Spot FLOODLIGHT
14	AC000_M000_076	HANDLE
15	LED06_C000_081ZN	FLOODLIGHT UPPER BRACKET
16	AS000_M023_001	SPACER
17	AC000_E016_005	LIGHT SENSOR ELEMENT
18	LED06_C000_070	REAR COVER
19A	AC000_E006_002	2 POLE ELECTRICAL CLAMP
19B	AC000_E006_004	5 POLE ELECTRICAL CLAMP
	X-ECOFLEXREPAIRKIT	CABLE REPAIR MALE & FEMALE CONNECTER + CABLE



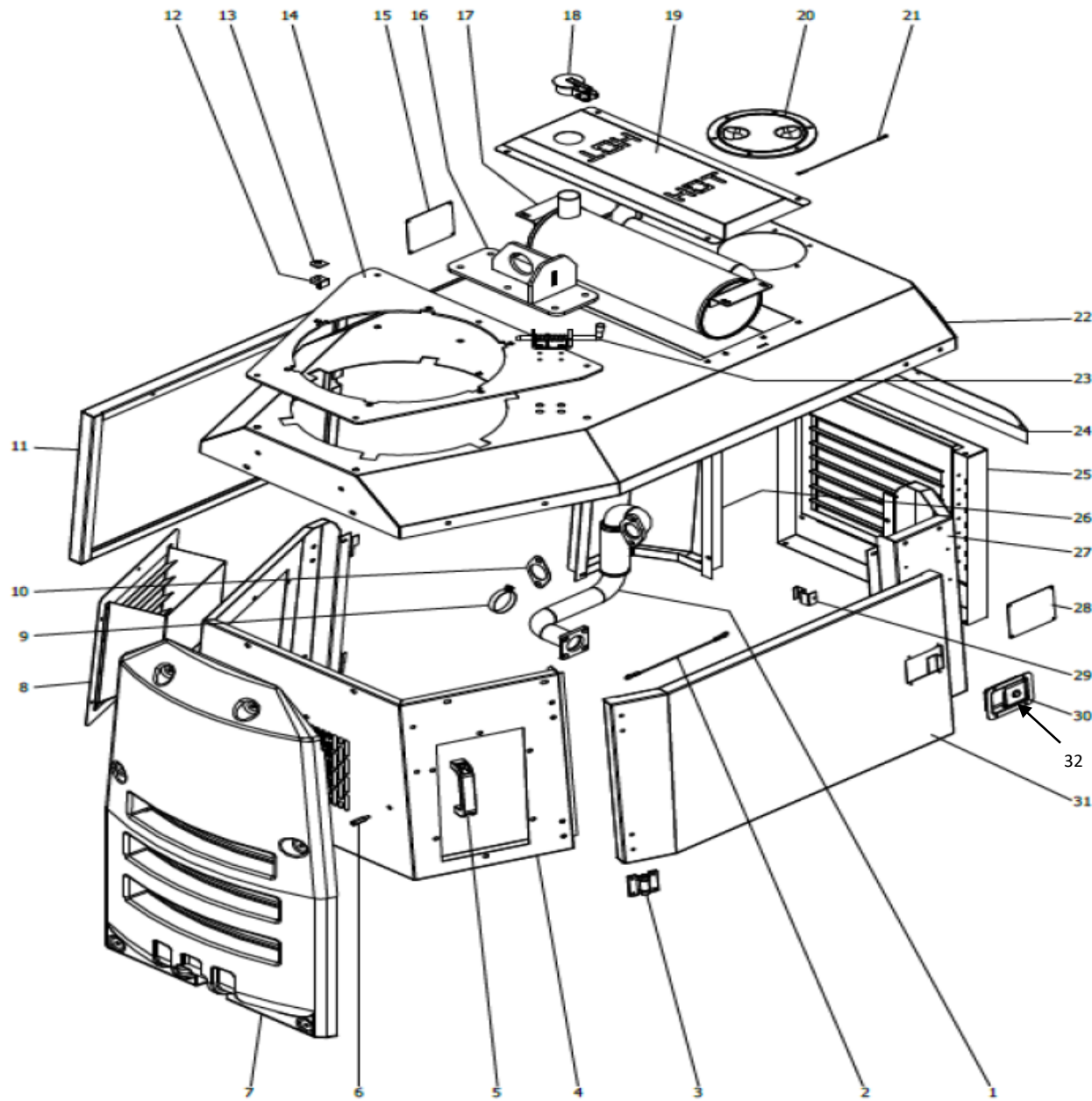
32	AC000_M016_002	AIR BUBBLE LEVEL
33	PFI08_C031_009	COILED CABLE PROTECTION
34	AC000_P037_001	HANDLE
35	PFM08_C000_047	COILED CABLE LOCK
36	AC000_E006_016	COILED CABLE

NO.	PART CODE	DESCRIPTION
1	PFI08_C031_019ZN	MAST POSITIONING PLATE, LEFT
2	AC000_M038_007	CLAMP WITH RUBBER
3	AS000_M000_029	SCREW
4	XRENT_C000_011	MAST SUPPORT
5	AS000_M023_026	HYDRAULIC PIPE PIN
6	AC000_G025_001	HYDRAULIC PIPE KIT
7	AS000_I025_001	HYDRAULIC PIPE
8	PFI08_C031_001ZN	1° SECTION MAST
9	PFI08_C031_024	SPACER
10	PFI08_C031_015	DRAG FLANGE
11	PFI08_C031_018ZN	MAST POSITIONING PLATE, RIGHT
12	AC000_M021_002	PULLEY D.60
13	AC000_M021_008	PULLEY D.63
14	AC000_M021_005	STEEL ROPE L.1460mm
15	AC000_M021_012	STEEL ROPE L.1440mm
16	AC000_M021_004	STEEL ROPE L.1440mm
17	AC000_M021_006	STEEL ROPE L.1415mm
18	AC000_M021_007	STEEL ROPE L.1385mm
19	AS000_M000_005	MAST ANGLE GUIDE
20	PFI08_C031_012ZN	MAST ANGLE GUIDE REINFORCEMENT
21	PFI08_C031_008ZN	8° SECTION MAST
22	PFI08_C031_007ZN	7° SECTION MAST
23	PFI08_C031_006ZN	6° SECTION MAST
24	PFI08_C031_005ZN	5° SECTION MAST
25	PFI08_C031_004ZN	4° SECTION MAST
26	PFI08_C031_003ZN	3° SECTION MAST
27	PFI08_C031_002ZN	2° SECTION MAST
30	SI000_G000_001	COILED CABLE CENTERING ROD (COMPLETE)
31	PFI08_C031_029	AIR BUBBLE LEVEL PROTECTION



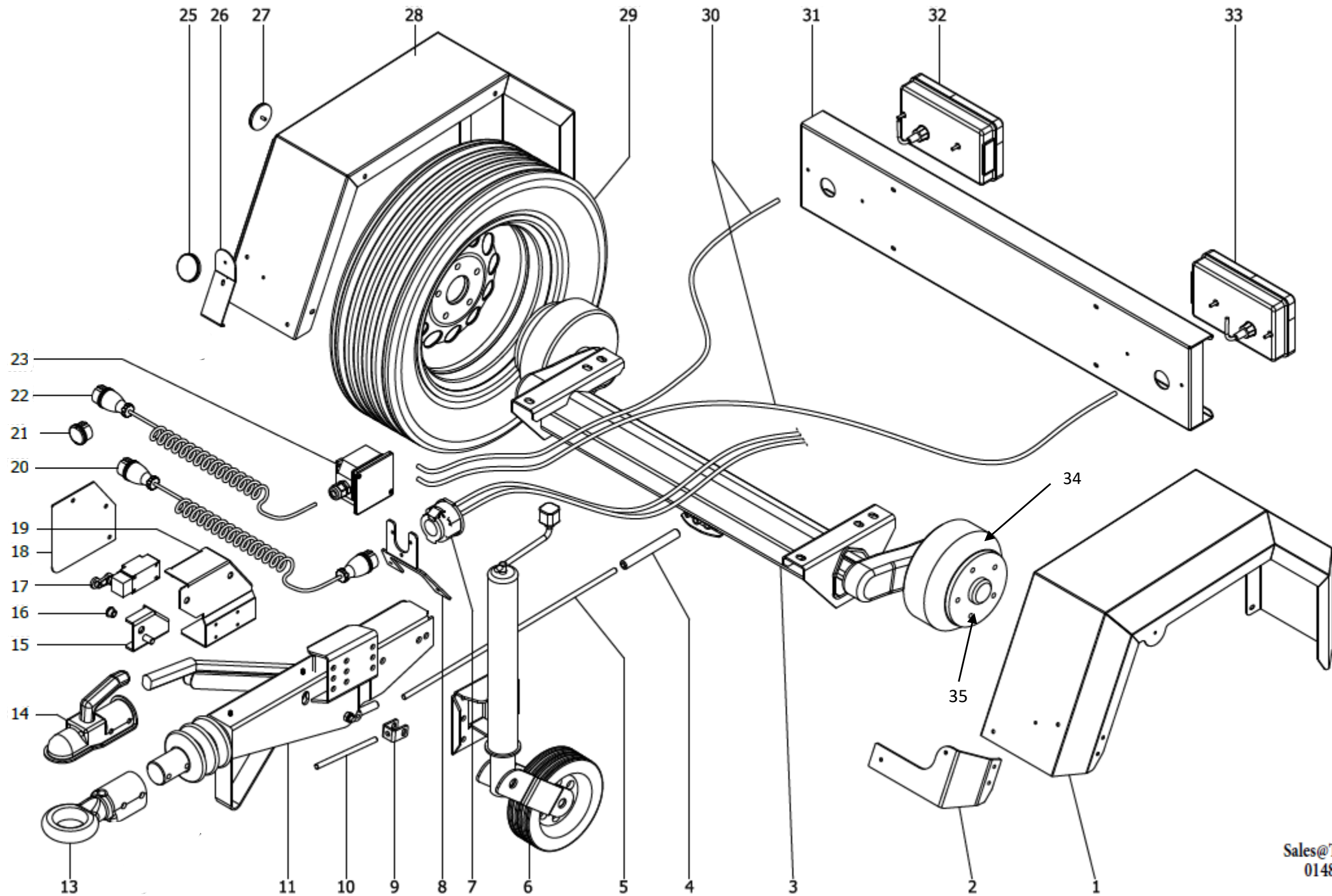
NO.	PART CODE	DESCRIPTION
1	XECOK2_C006_049	POWER SUPPLIES SUPPORT
2	AC000_E006_004	5 POLES CLAMP
3	AC000_E006_002	2 POLES CLAMP
4	AC000_M000_081	DRAIN CAP
5	XECOK2_C003_200	STABILIZER
6	XECOK2_C000_226	FRAME FOR FORKLIFT
7	XECOK2_R008_190	RUBBER PROTECTION
8	XECOK2_C000_119ZN	RIGHT STABILIZER BEAM
9	XRENT_C000_037	ANTIROTATION PLATE
10	AC000_M038_007	RUBBERED CLAMP
11	XECOK2_C008_036	MAIN BASE STRUCTURE FRONT COVER
12	XECOK2_C000_117ZN	STABILIZER LOCK
13	XECOK2_R008_191	RUBBER PROTECTION
14	XECOK2_C000_120ZN	LEFT STABILIZER BEAM
15	AC000_M038_026	NUT
16	AC000_M000_077	PIN LOCK WITH SPRING
17	AC000_M000_086	CLOSING LOCK PIN
18	XECOK2_C004_128	MAIN BASE STRUCTURE
19	XECOK2_C006_111	CONTROL PANEL SUPPORT
20	XECOK2_C000_097	LEFT STABILIZER SUPPORT
21A	AS000_I000_011	HYDRAULIC UNIT (ASG)
21B	AS000_I000_017	HYDRAULIC UNIT (HYDROVEN)
22	XECOK2_C000_084	HYDRAULIC UNIT SUPPORT
23	AC000_E000_027	BATTERY

NO.	PART CODE	DESCRIPTION
24	TF8K1_C000_0014	BATTERY LOCK
25	AC000_M000_028	FUEL TANK CAP
26	AC000_E006_025	FUEL LEVEL TRANSMITTER
27	XECOK2_C005_149	FUEL TANK PLATE
28	XECOK_AS05_009	GASKET
29	XECOK2_C004_034	MAIN BASE STRUCTURE REAR COVER
30	XECOK2_C005_235	FUEL TANK
31	AC000_M000_062	STABILIZER SPRING
32	XECOK2_C000_095	RIGHT STABILIZER SUPPORT
33	XECOK2_C000_096	STABILIZER LOCK
34	XECOK2_C003_093	STABILIZER
35	AC000_E018_017	CURVED CONNECTOR
36	AC000_E018_014	CURVED CONNECTOR NUT
37	AS000_E006_003	JUNCTION BOX
38	AC000_E018_002	CABLE GLAND PG21
39	AC000_E018_009	CABLE GLAND PG16
40	XECOK2_C006_068	JUNCTION BOX SUPPORT
41	AC000_E026_088	POWER SUPPLY / DRIVER
42	AC000_M000_061	STABILISIER CAP COVER



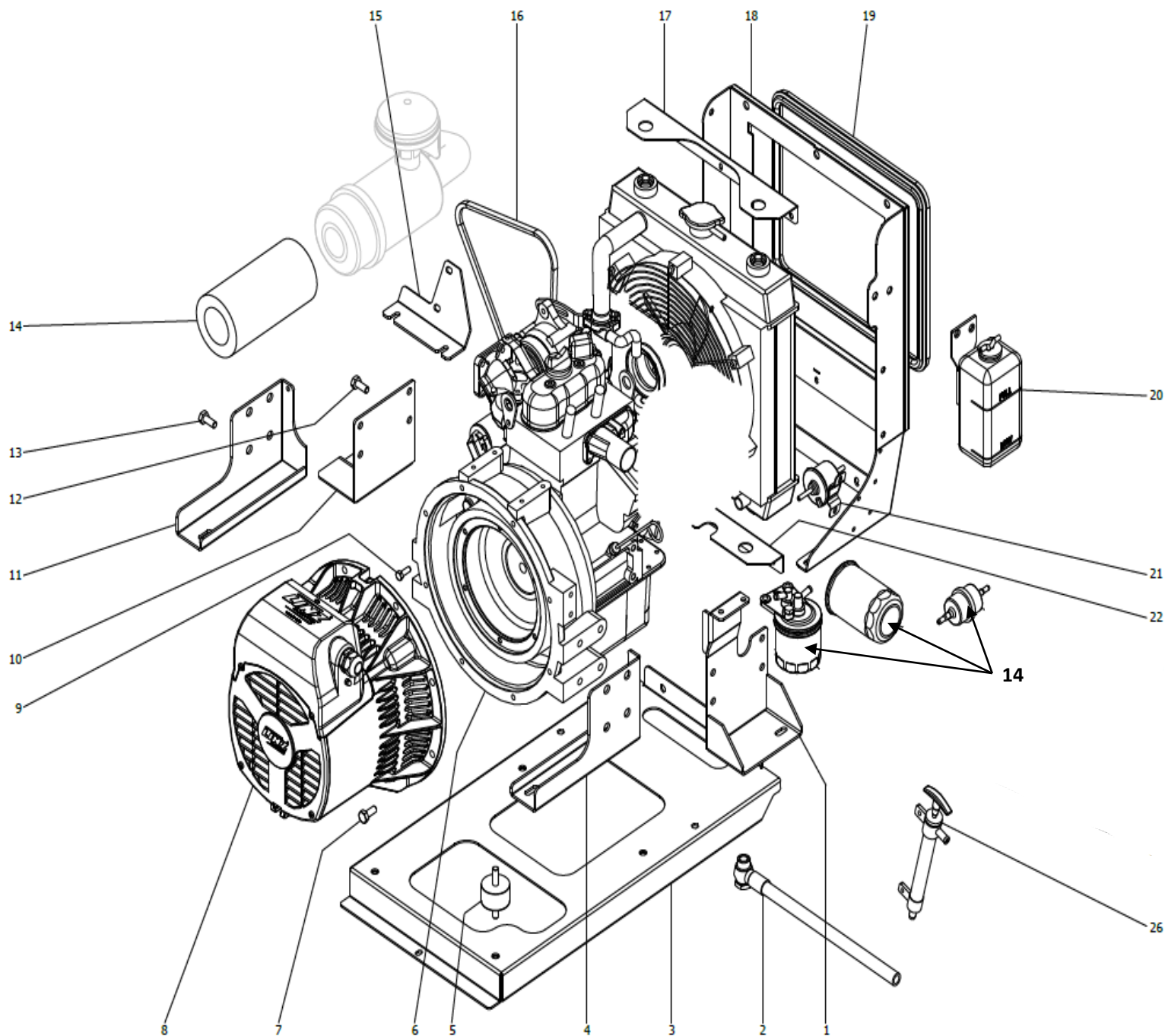
31	XECOK2_C008_131	NEAR SIDE DOOR
32	AC000_M000_137	DOOR KEY

NO.	PART CODE	DESCRIPTION
1	XECOK2_C035_046	MUFFLER EXTENSION
2	XECOK2_M009_161	DOOR RETENTION ROPE
3	AC000_M000_009	DOOR HINGE
4	XECOK2_C007_046	FRONT PANEL
5	AC000_M000_005	HANDLE
6	PLASTICFRONTCOVERKIT	SPACER/FIXING KIT
7	XECO_AS009_058	PLASTIC COVER
8	XRENT_C008_044	AIR INLET GRID
9	AC000_M038_009	CLAMP
10	AC000_M001_007	MUFFLER EXTENSION GASKET
11	XECOK2_C008_132	OFFSIDE DOOR
12	PFI08_C031_013	ROTATIONAL SLIDING PLATE
13	PFI08_C031_014ZN	ROTATIONAL SLIDING PLATE REINFORCEMENT
14	XECOK2_C000_050	MAST ROTATION GUIDE PLATE
15	XECOK2_S010_185B	APPROBATION PLATE
16	XECOK2_C036_386ZN	LIFTING EYE
17	XECOK_C035_045	MUFFLER
18	AC000_M000_080	RAIN COVER
19	XECOK_C007_032	MUFFLER COVER
20	AC000_M001_035	RADIATOR CAP COVER
21	AS000_M036_083	RADIATOR CAP COVER RETENTION ROPE
22	XECOK2_C007_129	TOP CANOPY
23	AC000_M000_003	CLOSING LOCK PIN
24	XECOK2_C007_113	REAR PLATE
25	XECOK2_C008_225	AIR OUTLET GRID
26	XECOK2_C007_133	REAR OFFSIDE PANEL
27	XECOK2_C007_134	REAR NEAR SIDE PANEL
28	XECOK2_S010_277B	DATA PLATE
29	XRENT_C000_040	LOCK CONTRAST
30	AC000_M000_017	DOOR LOCK

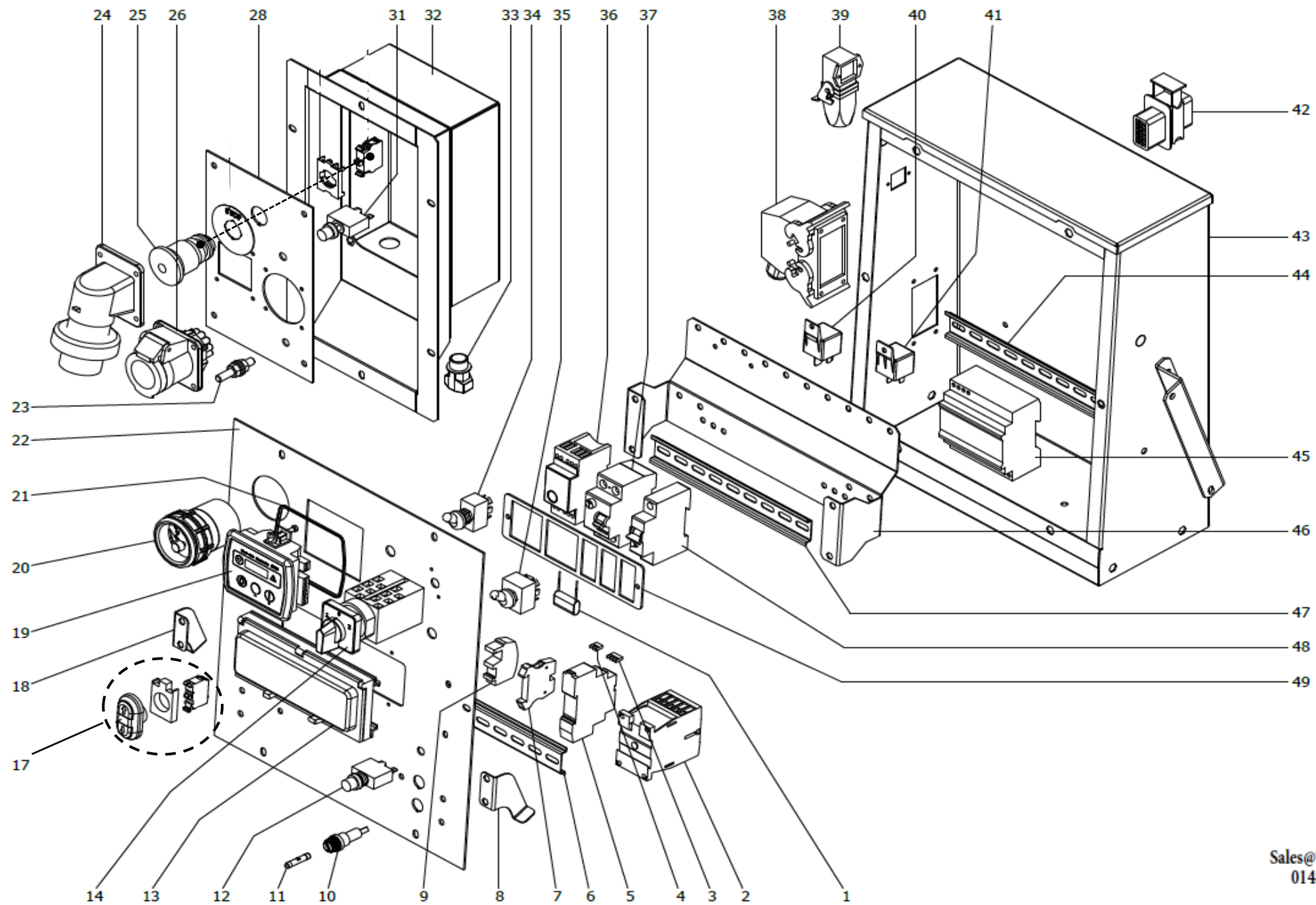


NO.	PART CODE	DESCRIPTION
1	XECOK2_C004_069	NEAR SIDE MUDGUARD
2	XECOK2_R008_188	RIGHT MUDGUARD RUBBER
3	AC000_T003_002	AXLE (AL-KO)
4	AS000_M000_073	SLIDE PIN
5	XECOK2_C005_055ZN	REAR TIE ROD (670mm)
6	AC000_T003_003	JOCKEY WHEEL
7	AC000_E050_016	CABLE WITH CONNECTOR
8	XECOK2_C006_197	CONNECTOR SUPPORT
9	XECOK2_C005_186ZN	TIE RODS JUNCTION
10	XECOK2_C005_059_03ZN	FRONT TIE ROD
11	AC000_T003_004	RUDDER
13	AC000_T003_016	HOOK EYE D.50
14	AC000_T003_007	HOOK BALL
15	XECOK2_C000_098	LIMIT SWITCHES PLATE
16	XECOK2_C001_101ZN	ADAPTATION BUSHING
17	SI000_G006_009	LIMIT SWITCHES
18	XECOK2_C000_100	COVER PLATE
19	XECOK2_C000_099	LIMIT SWITCHES SUPPORT

NO.	PART CODE	DESCRIPTION
20	AC000_E050_017	CABLE WITH PLUGS
21	AC000_E000_062	ADAPTER
22	AC000_E013_001	CABLE WITH PLUG
23A	AC000_G006_001	ELECTRICAL BOX (1in 1out)
23B	AC000_G006_006	ELECTRICAL BOX (1in 2out)
25	AC000_T013_001	WHITE REFLECTER
26	XECOK2_C004_312	REFLECTER SUPPORT
27	AC000_T013_002	ORANGE REFLECTER
28	XECOK2_C004_070	LEFT MUDGUARD
29	AC000_T003_001	WHEEL WITH RIM (175/13)
29A	TR-2081670018	WHEEL BOLTS (AL-KO)
30	AC000_E050_086	TRAILER LIGHT WIRING LOOM
31	XECOK2_C000_238	LIGHTS HOLDER BAR
32	AC000_E013_007	OFFSIDE SIDE LIGHT
33	AC000_E013_008	NEAR SIDE SIDE LIGHT
34	TR-1732461	BRAKE SHOES KIT (AL-KO)
35	TR-2081670018	WHEEL BOLTS (AL-KO)

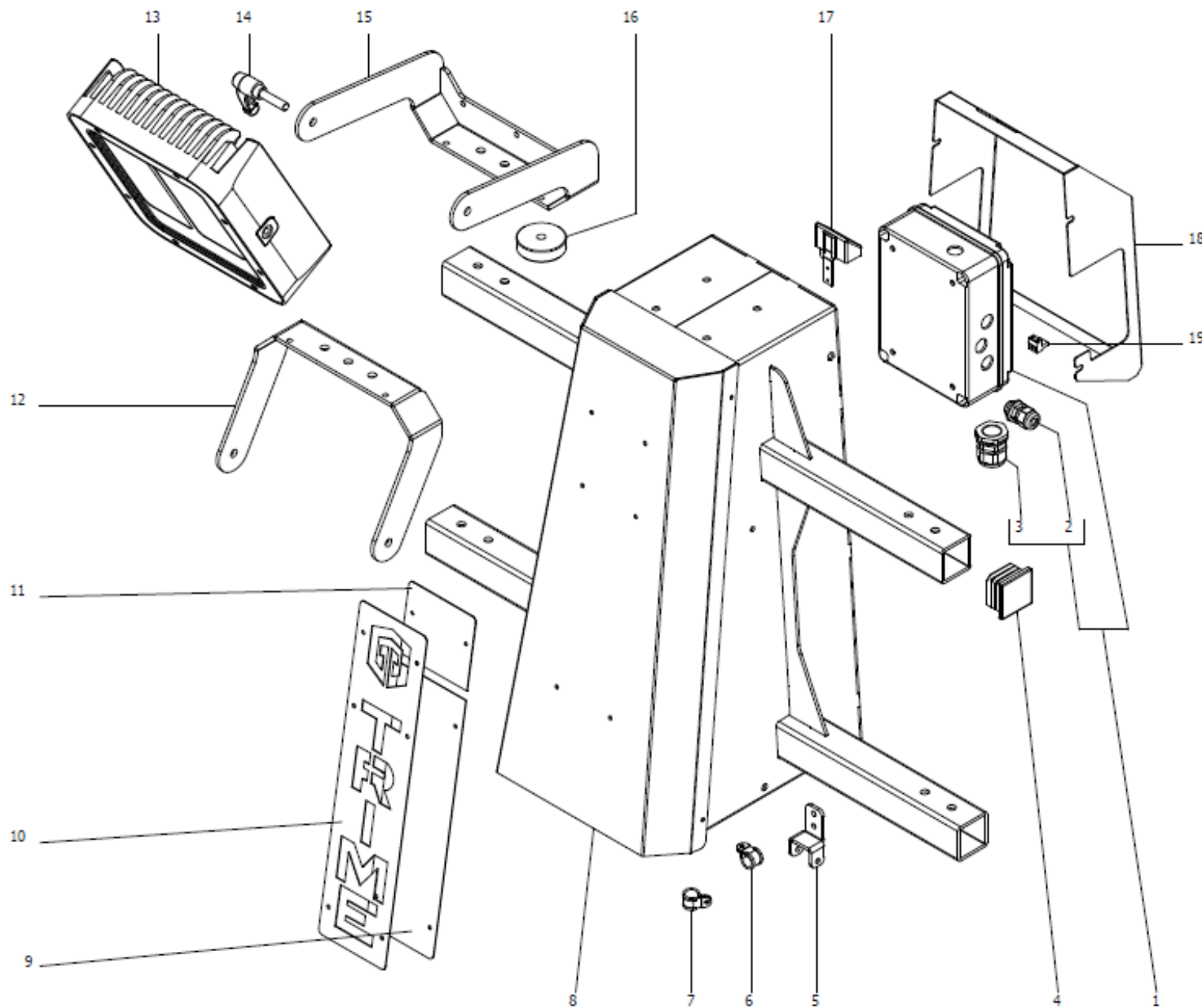


NO.	PART CODE	DESCRIPTION
1	XECOK2_C001_006	ENGINE REAR RIGHT SUPPORT
2	AC000_G001_001	OIL DRAIN PIPE
3	XECOK2_C001_126	ENGINE / ALTERNATOR SUPPORT
4	XECOK2_C001_123	ENGINE FRONT RIGHT SUPPORT
5	AC000_M024_054	SCHOCK ABSORBER
6	AC000_M033_007	ENGINE Z482-E
7	AC000_M038_014	ALTERNATOR FIXING SCREW
8	AC000_E034_007	ALTERNATOR (LINZ)
9	AC000_M038_013	ENGINE FIXING SCREW
10	XECOK2_C001_005	ENGINE REAR LEFT SUPPORT
11	XECOK2_C001_124	ENGINE FRONT LEFT SUPPORT
12	AC000_M038_015	ENGINE REAR SUPPORTS SCREW
13	AC000_M038_047	ENGINE FRONT SUPPORTS SCREW
14	X-ECOSERVKITZ482E	SERVICE KIT
15	XE48_C001_002	AIR FILTER SUPPORT
16	TR-15881-97010	ENGINE BELT
17	XE48_C001_005	RADIATOR TOP SUPPORT
18	XECOK2_C001_224	RADIATOR FRAME
19	AC000_R008_001	GASKET
20	TR-15531-72402	RADIATOR TANK
21	TR-R1401-51352	ELECTRIC PUMP
22	XECOK2_C001_236	RADIATOR INFERIOR SUPPORT
26	AS000_M000_060	OIL DRAIN MANUAL PUMP
	TR-15841-39010	OIL PRESSURE SWICTH
	TR-16231-64012	12V CHARGING ALTERNATOR
	TR-16853-63013	STARTER MOTOR
	TR-1E41160013	FUEL SOLENOID
	TR-1682936410	DIPSTICK

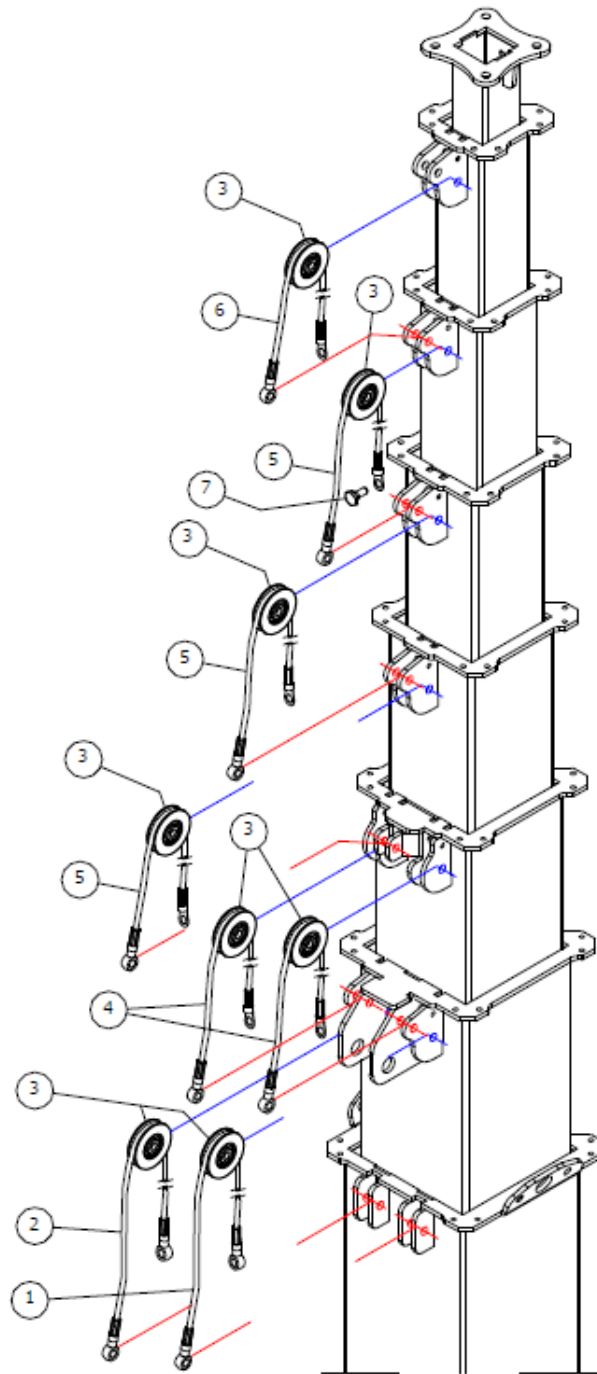


NO.	PART CODE	DESCRIPTION
1	AC000_E000_070	CAPACITOR
2	AC000_E006_054	CONTACTOR SWITCH
3	AC000_E006_063	4 POLES BRIDGE
4	AC000_E006_062	3 POLES BRIDGE
5	AC000_E006_047	CONTACTOR 20A 230V
6	AC000_M038_037	DIN BAR L 200
7	AC000_E017_015	TERMINAL BOARD ELEMENT
8	XECOK2_C019_232	RIGHT STOP
9	AC000_E017_012	TERMINAL BOARD STOP
10	AC000_E012_030	FUSES HOLDER
11	AC000_E012_014	2A FUSE
12	AC000_E012_013	CIRCUIT BREAKER 12A
13	AC000_E000_008	CIRCUIT BREAKERS COVER
14	AC000_E006_057	SELECTOR
17	SI000_G006_004	MAST BUTTON KIT
18	XECOK2_C019_233	LEFT STOP
19	AC000_E014_001	DSE 3110 CONTROL PANEL
20	AC000_E015_005	FUEL LEVEL GAUGE
21	AC000_E006_001	DSE 3110 CONTROL PANEL GASKET
22	XECOK2_S010_315B	INSTRUMENTS SUPPORT
23	AC000_M038_035	EARTHING TERMINAL
24	AC000_E011_010	230V 16A MAINS INLET
25	SI000_G006_010	STOP BUTTON KIT
26	AC000_E011_007	230V 16A POWER OUTLET
28	XECOK2_S010_106B	INSTRUMENTS SUPPORT

NO.	PART CODE	DESCRIPTION
31	AC000_E012_013	CIRCUIT BREAKER
32	XECOK2_C006_105	BOX
33	AC000_E018_019	CONNECTOR
34	AC000_E000_016	SWITCH
35	AC000_E000_017	SWITCH
36	AC000_E016_002	LIGHT SENSOR
37	AC000_E012_028	13A RCD
38	AC000_G006_004	10 POLES CONNECTOR
39	AC000_E000_071	5 POLES CONNECTOR
40	AC000_E000_041	12V – 70A RELAY
41	AC000_E000_040	12V – 30A RELAY
42	AC000_G006_003	24 POLES CONNECTOR
43	XECOK2_C019_314	MAIN CONTROL BOX
44	AC000_M038_039	DIN BAR L 275
45	AC000_E006_200	BATTERY CHARGER
46	XECOK2_C006_110	INSTRUMENT HOLDER
47	AC000_M038_037	DIN BAR L 200
48	AC000_E012_027	LAMP SWITCH
49	XRENT_C006_069	CIRCUIT BREAKERS FRAME

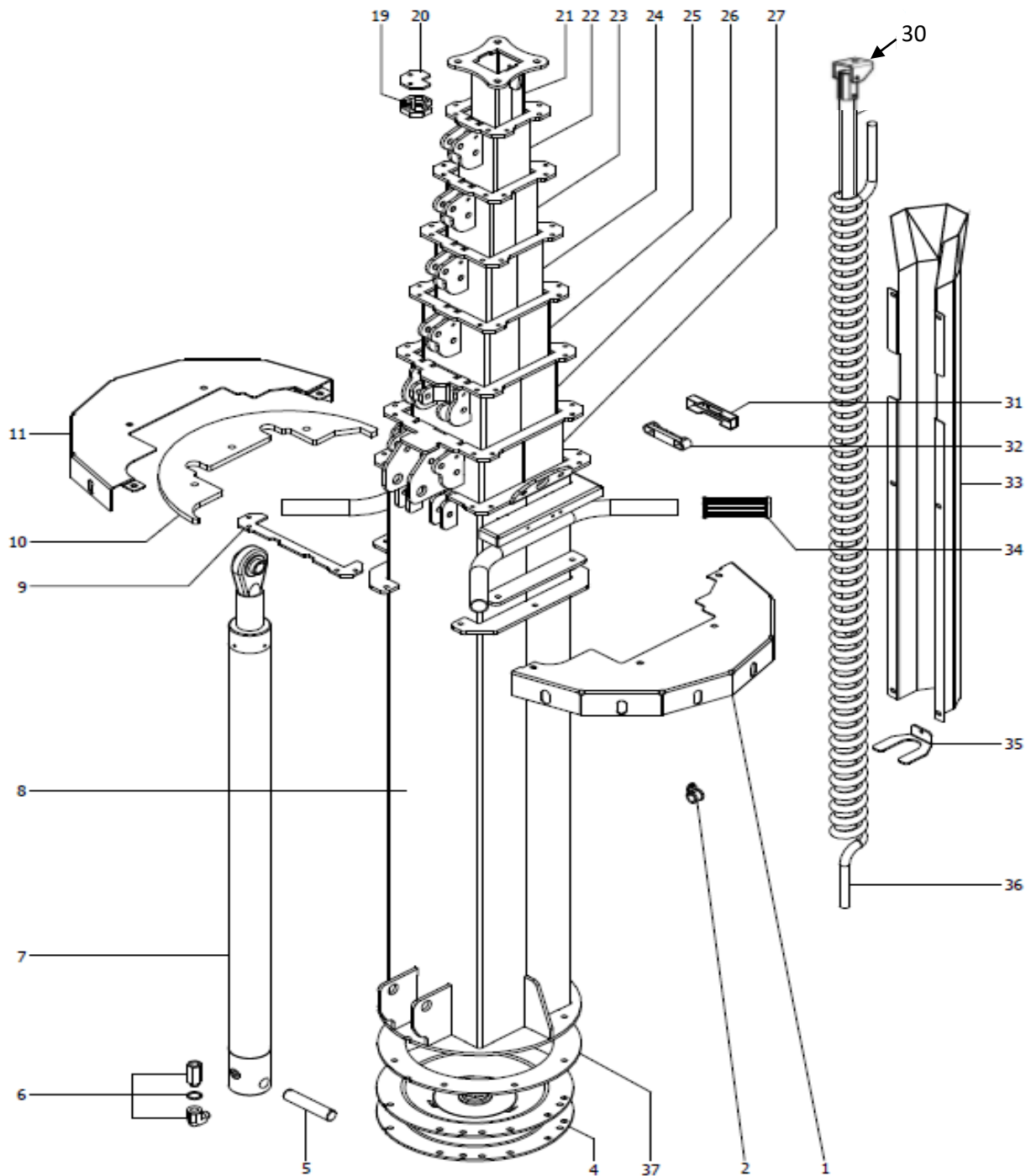


NO.	PART CODE	DESCRIPTION
1	AS000_E006_001	JUNCTION BOX
2	AC000_E018_008	PG11 WIRE HOLDER
3	AC000_E018_002	PG21 WIRE HOLDER
4	AC000_P037_010	CAP
5	PFI08_C031_069	CENTERING PLATE
6	AC000_E018_018	CLAMP WITH RUBBER
7	AC000_M038_007	CABLE CLIP
8	LED06_C000_080	CENTRAL SUPPORT
9	PFM08_C000_071	WHITE PLATE
10	PFM08_C000_070	LOGO PLATE
11	PFM08_C000_072	RED PLATE
12	LED04_C000_101ZN	FLOODLIGHT LOWER / CENTRAL BRACKET
13	AC000_E026_087	160W 48 SPOT FLOODLIGHT
14	AC000_M000_076	HANDLE
15	LED06_C000_081ZN	FLOODLIGHT UPPER BRACKET
16	AS000_M023_001	SPACER
17	AC000_E016_005	LIGHT SENSOR ELEMENT
18	LED06_C000_070	REAR COVER
19A	AC000_E006_002	2 POLE ELECTRICAL CLAMP
19B	AC000_E006_004	5 POLE ELECTRICAL CLAMP
	X-ECOFLEXREPAIRKIT	CABLE REPAIR MALE & FEMALE CONNECTER + CABLE

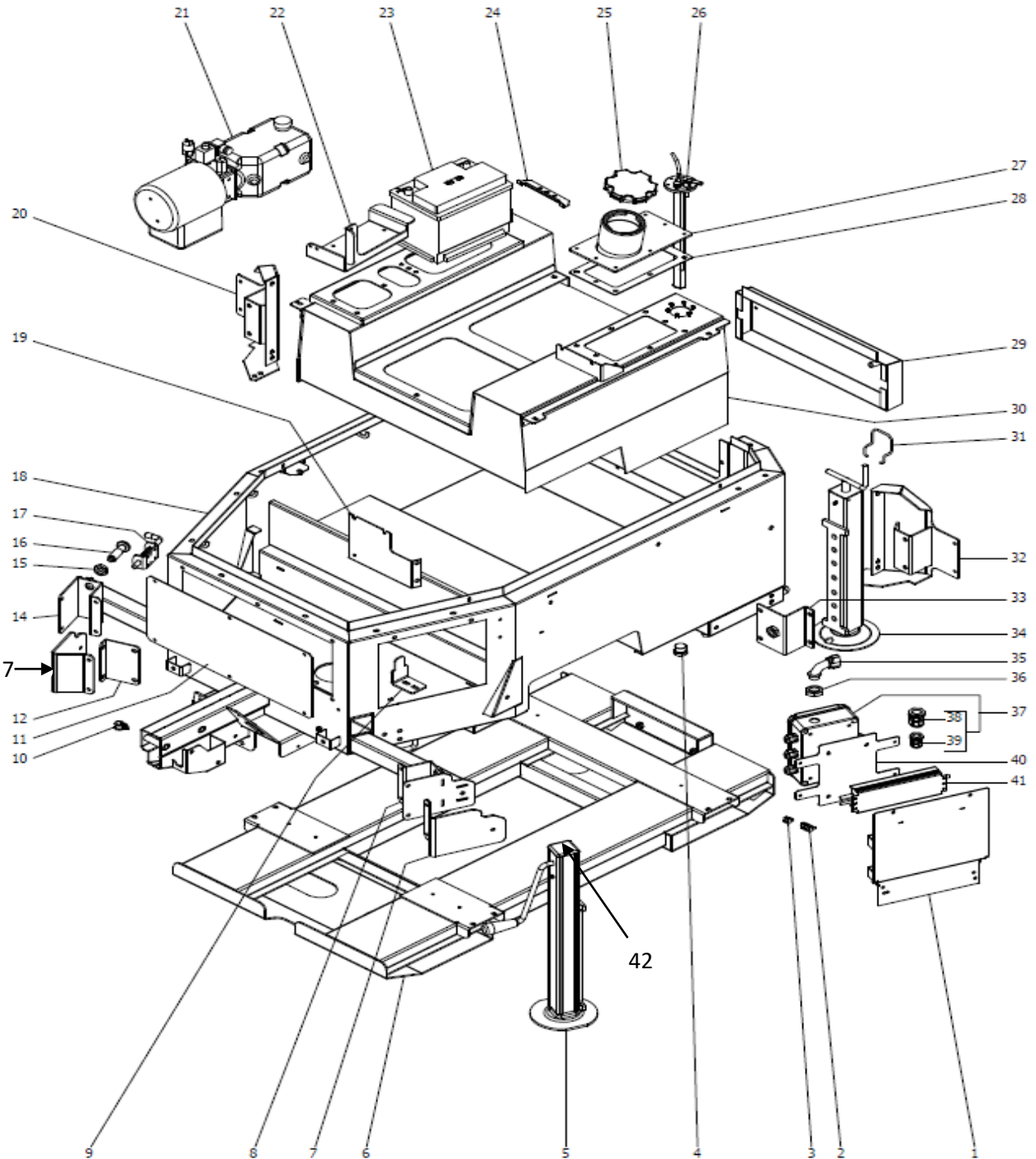


NO.	PART CODE	DESCRIPTION
1	AC000_M021_012	STEEL ROPE L.1440 mm
2	AC000_M021_005	STEEL ROPE L.1460 mm
3A	AC000_M021_002	PULLEY D.60
3B	AC000_M021_003	PULLEY D.62
3C	AC000_M021_008	PULLEY D.63
4	AC000_M021_007	STEEL ROPE L.1385 mm
5	AC000_M021_006	STEEL ROPE L.1415 mm
6	AC000_M021_004	STEEL ROPE L.1440 mm
7	AS000_M000_029	SCREW

PLEASE MEASURE PULLEYS & ROPES
BEFORE PLACING A ORDER

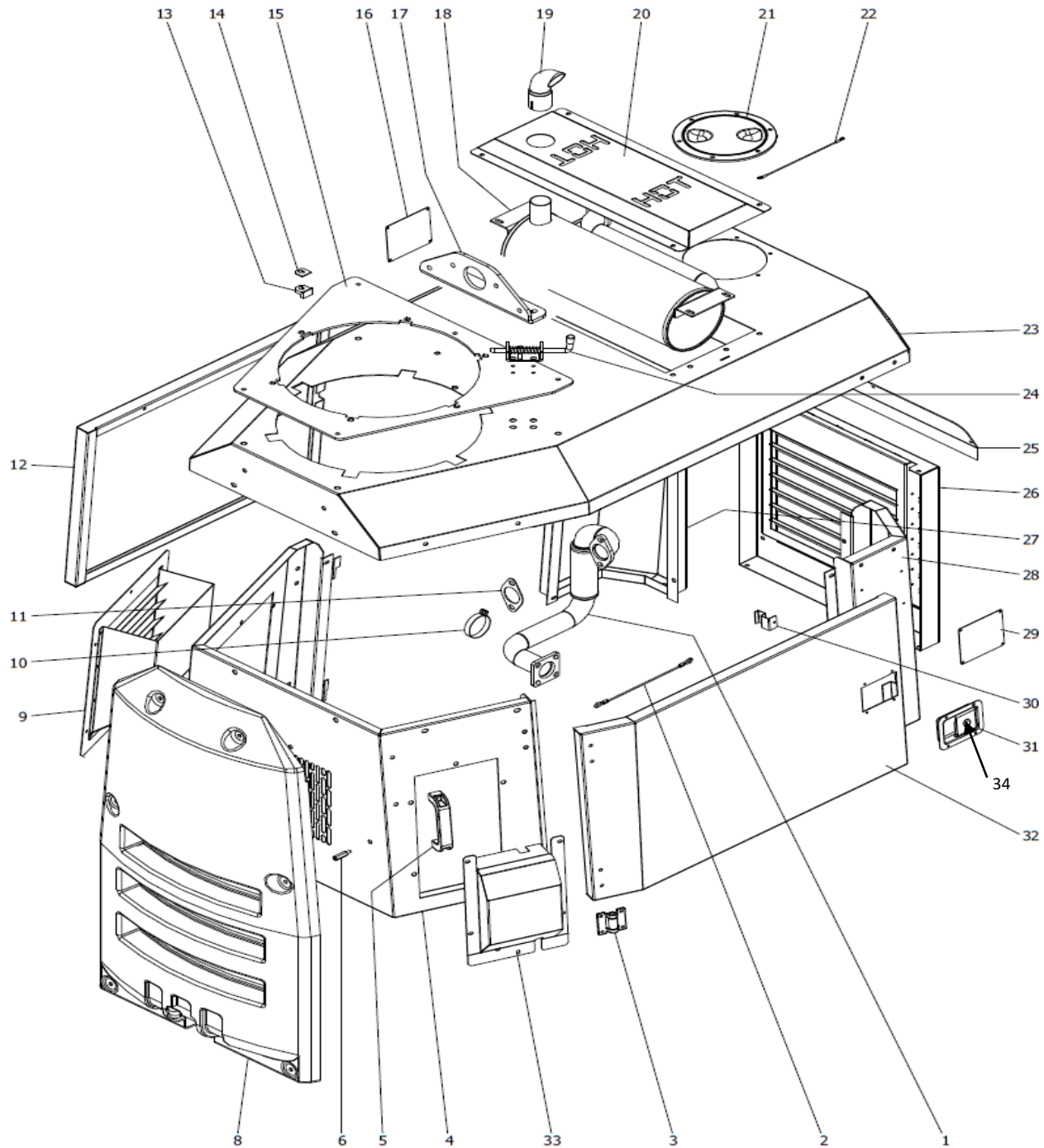


NO.	PART CODE	DESCRIPTION
1	PFI08_C031_019ZN	MAST POSITIONING PLATE, LEFT
2	AC000_M038_007	CLAMP WITH RUBBER
4	PFM07_C031_070	MAST ROTATING SUPPORT
5	AS000_M023_026	HYDRAULIC PIPE PIN
6	AC000_G025_001	HYDRAULIC PIPE KIT
7	AS000_I025_001	HYDRAULIC PIPE
8	PFI08_C031_001ZN	1° SECTION MAST
9	PFI08_C031_024	SPACER
10	PFI08_C031_015	DRAG FLANGE
11	PFI08_C031_018ZN	MAST POSITIONING PLATE, RIGHT
19	AS000_M000_005	MAST ANGLE GUIDE
20	PFI08_C031_012ZN	MAST ANGLE GUIDE REINFORCEMENT
21	PFI08_C031_008ZN	8° SECTION MAST
22	PFI08_C031_007ZN	7° SECTION MAST
23	PFI08_C031_006ZN	6° SECTION MAST
24	PFI08_C031_005ZN	5° SECTION MAST
25	PFI08_C031_004ZN	4° SECTION MAST
26	PFI08_C031_003ZN	3° SECTION MAST
27	PFI08_C031_002ZN	2° SECTION MAST
30	SI000_G000_001	COILED CABLE CENTERING ROD (COMPLETE)
31	PFI08_C031_029	AIR BUBBLE LEVEL PROTECTION
32	AC000_M016_002	AIR BUBBLE LEVEL
33	PFI08_C031_009	COILED CABLE PROTECTION
34	AC000_P037_001	HANDLE
35	PFM08_C000_047	COILED CABLE LOCK
36	AC000_E006_016	COILED CABLE
37	XRENT_C031_087	MAST ROTATING SUPPORT FRAME



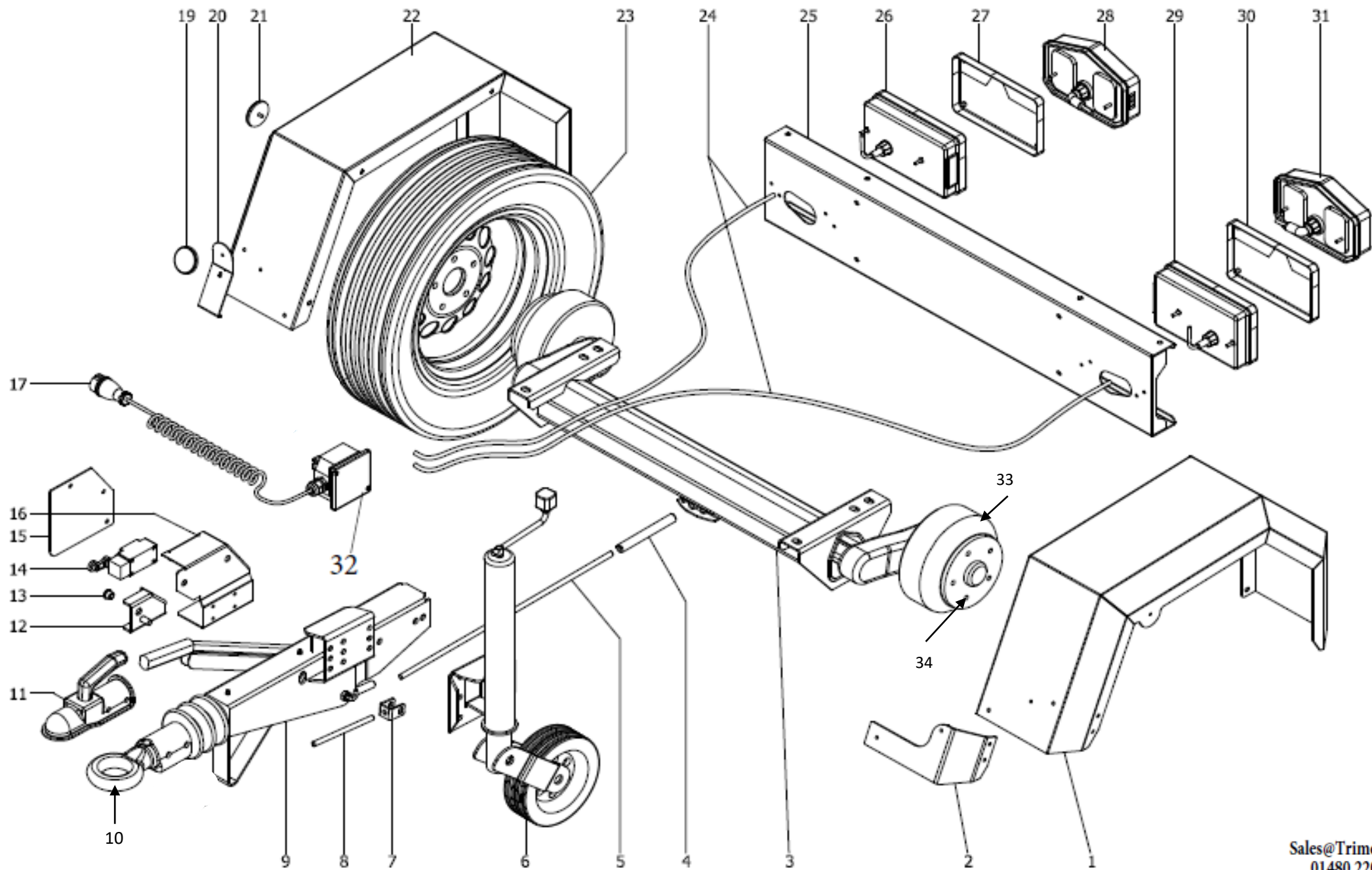
NO.	PART CODE	DESCRIPTION
1	XECOK2_C006_049	POWER SUPPLIES SUPPORT
2	AC000_E006_004	5 POLES CLAMP
3	AC000_E006_002	2 POLES CLAMP
4	AC000_M000_081	DRAIN CAP
5	XECOK2_C003_200	STABILIZER
6	XECOK2_C000_226	FRAME FOR FORKLIFT
7	XECOK2_R008_190	RUBBER PROTECTION
8	XECOK2_C000_119ZLN	RIGHT STABILIZER BEAM
9	XRENT_C000_037	ANTIROTATION PLATE
10	AC000_M038_007	RUBBERED CLAMP
11	XECOK2_C008_036	MAIN BASE STRUCTURE FRONT COVER
12	XECOK2_C000_117ZLN	STABILIZER LOCK
13	XECOK2_R008_191	RUBBER PROTECTION
14	XECOK2_C000_120ZLN	LEFT STABILIZER BEAM
15	AC000_M038_026	NUT
16	AC000_M000_077	PIN LOCK WITH SPRING
17	AC000_M000_086	CLOSING LOCK PIN
18	XECOK2_C004_128	MAIN BASE STRUCTURE
19	XECOK2_C006_111	CONTROL PANEL SUPPORT
20	XECOK2_C000_097	LEFT STABILIZER SUPPORT
21A	AS000_I000_011	HYDRAULIC UNIT (ASG)
21B	AS000_I000_017	HYDRAULIC UNIT (HYDROVEN)
22	XECOK2_C000_084	HYDRAULIC UNIT SUPPORT
23	AC000_E000_027	BATTERY

NO.	PART CODE	DESCRIPTION
24	TF8K1_C000_0014	BATTERY LOCK
25	AC000_M000_028	FUEL TANK CAP
26	AC000_E006_025	FUEL LEVEL TRANSMITTER
27	XECOK2_C005_149	FUEL TANK PLATE
28	XECOK_AS05_009	GASKET
29	XECOK2_C004_034	MAIN BASE STRUCTURE REAR COVER
30	XECOK2_C005_235	FUEL TANK
31	AC000_M000_062	STABILIZER SPRING
32	XECOK2_C000_095	RIGHT STABILIZER SUPPORT
33	XECOK2_C000_096	STABILIZER LOCK
34	XECOK2_C003_093	STABILIZER
35	AC000_E018_017	CURVED CONNECTOR
36	AC000_E018_014	CURVED CONNECTOR NUT
37	AS000_E006_003	JUNCTION BOX
38	AC000_E018_002	CABLE GLAND PG21
39	AC000_E018_009	CABLE GLAND PG16
40	XECOK2_C006_068	JUNCTION BOX SUPPORT
41	AC000_E026_088	POWER SUPPLY / DRIVER
42	AC000_M000_061	STABILISIER CAP COVER



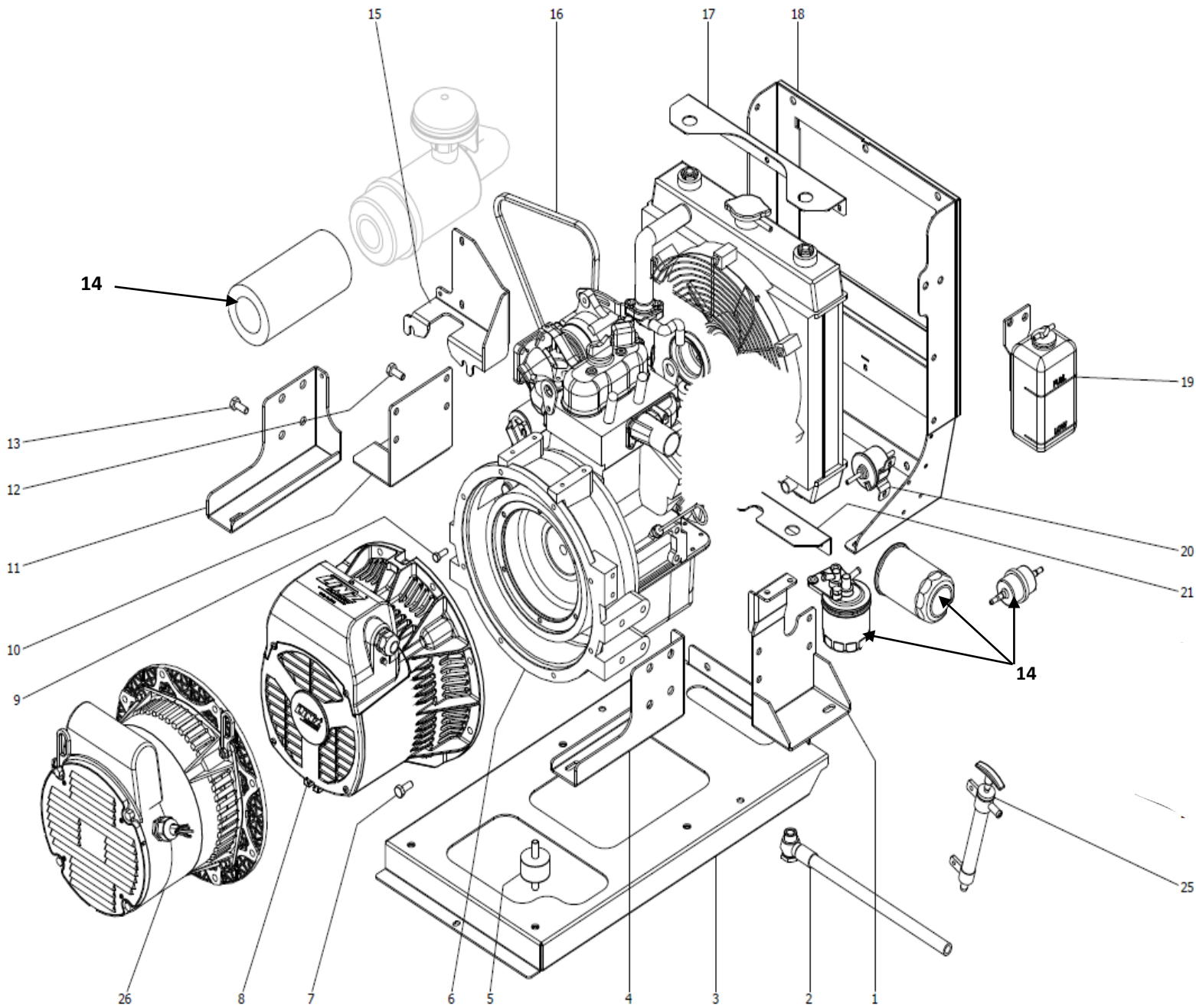
NO.	PART CODE	DESCRIPTION
1	XECOK2_C035_046	MUFFLER EXTENSION
2	XECOK2_M009_161	DOOR RETENTION ROPE
3	AC000_M000_009	DOOR HINGE
4	XECOK2_C007_046	FRONT PANEL
5	AC000_M000_005	HANDLE
6	PLASTICFRONTCOVERKIT	SPACER/FIXING KIT
8	XECO_AS009_058	PLASTIC COVER
9	XRENT_C008_044	AIR INLET GRID
10	AC000_M038_009	CLAMP
11	AC000_M001_007	MUFFLER EXTENSION GASKET
12	XECOK2_C008_132	OFFSIDE DOOR
13	PFI08_C031_013	ROTATIONAL GUIDES
14	PFI08_C031_014ZN	ROTATIONAL GUIDES REINFORCEMENT
15	XECOK2_C000_050	MAST ROTATION GUIDE PLATE
16	XECOK2_S010_185B	APPROBATION PLATE
17	XECOK2_C036_386ZN	LIFTING EYE
18	XECOK_C035_045	MUFFLER
19	AC000_M000_105	EXHAUST ANGLE
20	XECOK_C007_032	MUFFLER COVER

NO.	PART CODE	DESCRIPTION
21A	AC000_M001_035	RADIATOR CAP COVER
22	AS000_M036_083	RADIATOR CAP COVER RETENTION ROPE
23	XECOK2_C007_129	TOP CANOPY
24	AC000_M000_003	CLOSING LOCK PIN
25	XECOK2_C007_113	REAR PLATE
26	XECOK2_C008_225	AIR OUTLET GRID
27	XECOK2_C007_133	REAR OFFSIDE PANEL
28	XECOK2_C007_134	REAR NEARSIDE PANEL
29	XECOK2_S010_277B	DATA PLATE
30	XRENT_C000_040	LOCK CONTRAST
31	AC000_M000_017	DOOR LOCK
32	XECOK2_C008_131	NEARSIDE DOOR
33	XECOK2_C000_155	EXTERNAL PANEL COVER
34	AC000_M000_137	DOOR KEY

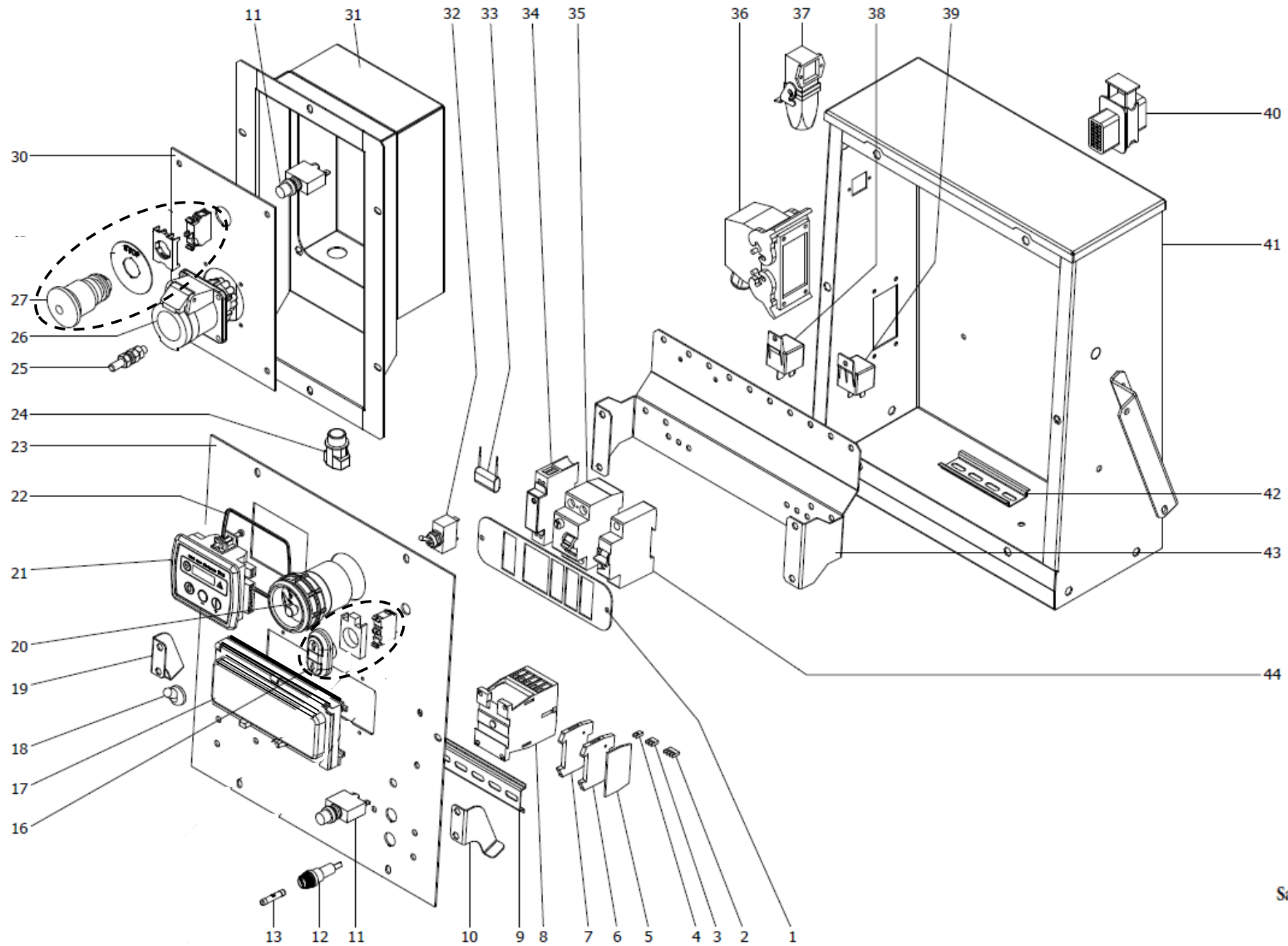


NO.	PART CODE	DESCRIPTION
1	XECOK2_C004_069	NEAR SIDE MUDGUARD
2	XECOK2_R008_188	RUBBER BUFFER
3A	AC000_T003_002	AXLE (ALKO)
3B	AXLE (ALKO)	AXLE (OMC)
4	AS000_M000_073	PIN FOR TIE ROD
5A	XECOK2_C005_055ZN	REAR TIE ROD (AL-KO AXLE)
5B	XECOK2_C005_537ZN	REAR TIE ROD (OMC AXLE)
6	AC000_T003_003	JOCKEY WHEEL
7	XECOK2_C005_186ZN	TIE ROD JUNCTION
8	XECOK2_C005_059_03ZN	FRONT TIE ROD
9	AC000_T003_004	TOW BAR WITH HOOK D.50
10	AC000_T003_008	HOOK D.50
11	AC000_T003_007	BALL HOOK
12	XECOK2_C000_098	SENSOR PLATE
13	XECOK2_C001_101ZN	ADAPTER BUSHING
14	SI000_G006_009	SENSOR
15	XECOK2_C000_100	CLOSING PLATE
16	XECOK2_C000_099	SENSOR SUPPORT
17	AC000_E013_001	COILDED TOW CABLE
19	AC000_T013_001	WHITE REFLECTER
20	XECOK2_C004_312	REFLECTER SUPPORT
21	AC000_T013_002	ORANGE REFLECTER
22	XECOK2_C004_070	OFFSIDE MUDGUARD
23A	AC000_T003_001	WHEEL 175 R13 (AL-KO AXLE)
23B	AC000_T003_046	WHEEL 185 70 R13 (OMC AXLE)

NO.	PART CODE	DESCRIPTION
24A	AC000_E050_086	WIRING FOR LIGHTS 007 & 008 CLUSTER
24B	AC000_E050_253	WIRING FOR LED LIGHTS 026 & 027 CLUSTER
25	XECOK2_C000_238	LIGHT BAR
26	AC000_E013_007	OFFSIDE CLUSTER
27	AC000_E013_009	OFFSIDE CLUSTER LENS
28	AC000_E013_026	OFFSIDE LED LIGHT
29	AC000_E013_008	NEAR SIDE CLUSTER
30	AC000_E013_010	NEAR SIDE CLUSTER LENS
31	AC000_E013_027	NEAR SIDE LED CLUSTER
32	AC000_G006_001	JUNCTION BOX
33A	TR-1732461	BRAKE SHOE KIT (AL-KO AXLE)
33B	TR-OMC-F0035	BRKAE SHOE KIT (OMC AXLE)
34A	TR-2081670018	WHEEL BOLTS (AL-KO AXLE)
34B	TR-OMC-34.418	WHEEL BOLTS (OMC AXLE)

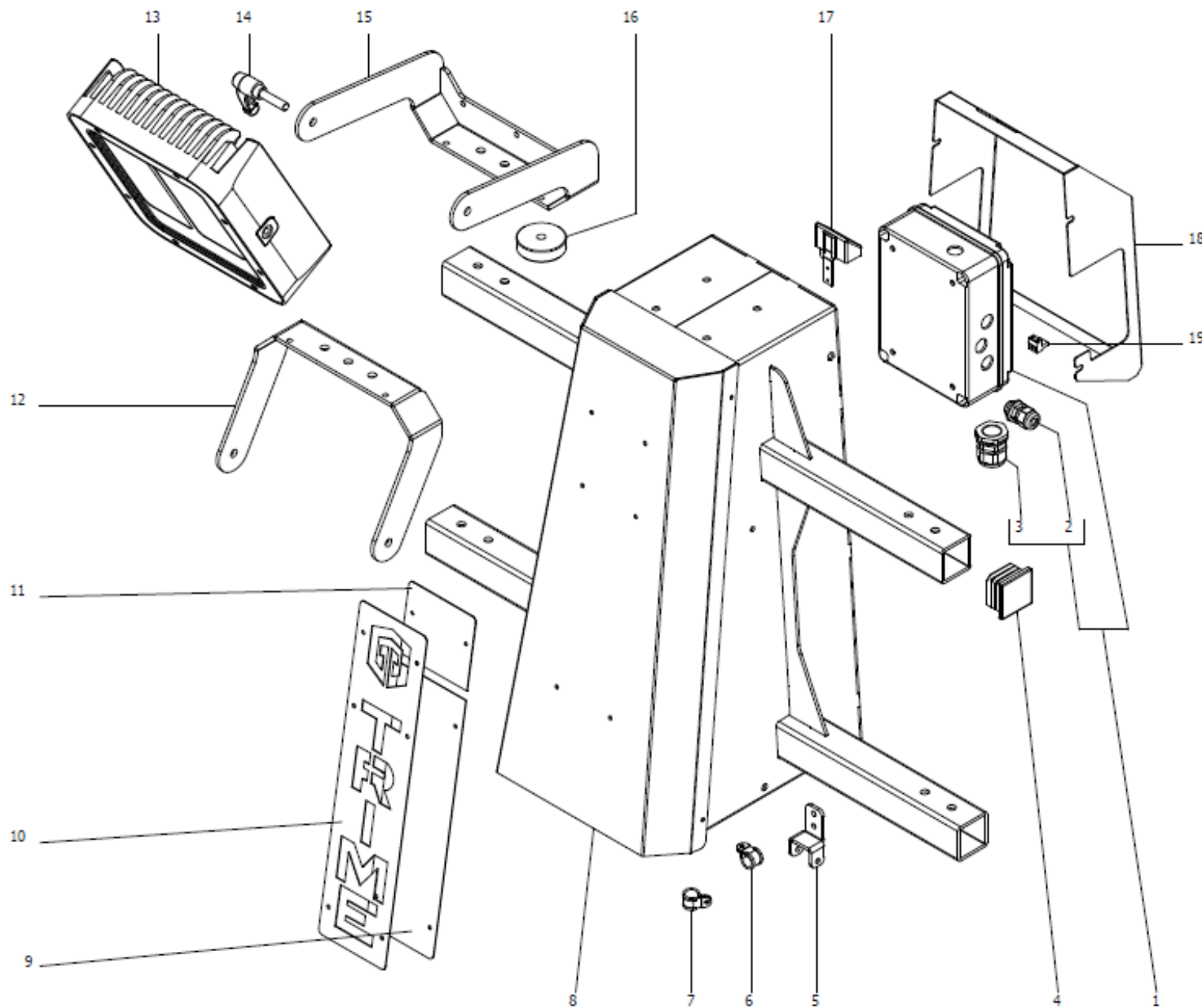


NO.	PART CODE	DESCRIPTION
1	XECOK2_C001_006	ENGINE REAR RIGHT SUPPORT
2	AC000_G001_001	OIL DRAIN PIPE
3	XECOK2_C001_126	ENGINE / ALTERNATOR SUPPORT
4	XECOK2_C001_008	ENGINE FRONT RIGHT SUPPORT
5	AC000_M024_054	SCHOCK ABSORBER
6	AC000_M033_024	ENGINE Z482_STAGE V
7	AC000_M038_014	ALTERNATOR FIXING SCREW
8	AC000_E034_007	LINZ ALTERNATOR
9	AC000_M038_013	ENGINE FIXING SCREW
10	XECOK2_C001_005	ENGINE REAR LEFT SUPPORT
11	XECOK2_C001_007	ENGINE FRONT LEFT SUPPORT
12	AC000_M038_015	ENGINE REAR SUPPORTS SCREW
13	AC000_M038_047	ENGINE FRONT SUPPORTS SCREW
14	X-ECOSERVKITZ482S5	SERVICE KIT
15	XECOK2_C001_458	AIR FILTER SUPPORT
16	TR-15881-97010	ENGINE BELT
17	XE48_C001_005	RADIATOR TOP SUPPORT
18	XECOK2_C001_224	RADIATOR FRAME
19	K-1553172402	RADIATOR TANK
20	R140151352	ELECTRIC PUMP
21	XECOK2_C001_236	RADIATOR INFERIOR SUPPORT
25	AC000_E034_001	MECC ALTE ALTERNATOR
	TR-15841-39010	OIL PRESSURE SWICTH
	TR-16231-64012	12V CHARGING ALTERNATOR
	TR-16853-63013	STARTER MOTOR
	TR-1E41160013	FUEL SOLENOID
	TR-1682936410	DIPSTICK

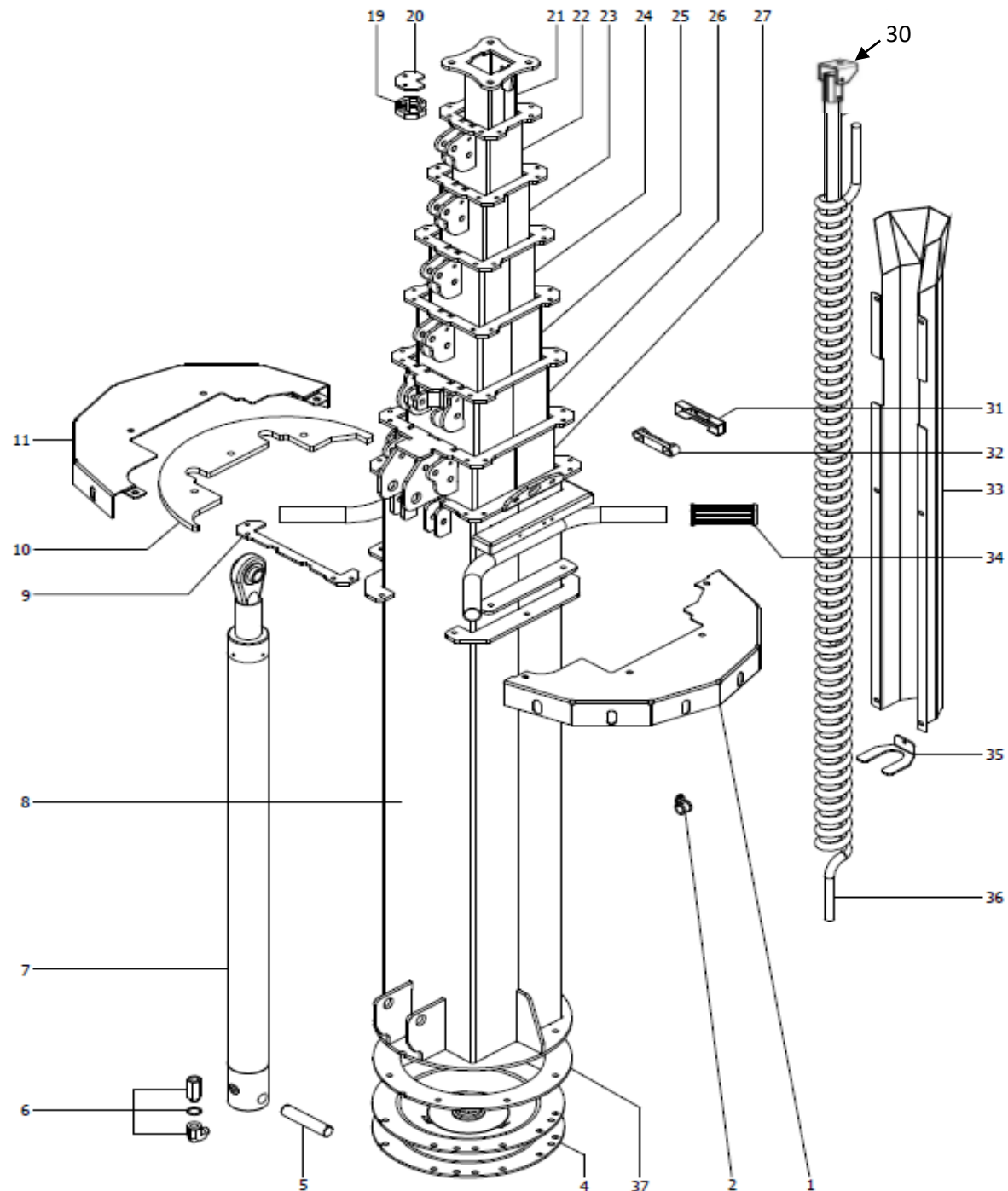


NO.	PART CODE	DESCRIPTION
1	XRENT_C006_229	CIRCUIT BREAKERS FRAME
2	AC000_E006_063	4 PIN BRIDGE
3	AC000_E006_062	3 PIN BRIDGE
4	AC000_E006_023	2 PIN BRIDGE
5	AC000_E006_024	TERMINAL BOARD ELEMENT PLATE
6	AC000_E006_022	TERMINAL BOARD ELEMENT COVER
7	AC000_E006_021	TERMINAL BOARD ELEMENT
8	AC000_E006_054	CONTACTOR SWITCH
9	AC000_M038_037	BAR L.200
10	XECOK2_C019_232	RIGHT STOP PLATE
11	AC000_E012_013	12A CIRCUIT BREAKER
12	AC000_E012_030	FUSE HOLDER
13	AC000_E012_014	2A FUSE
16	SI000_G006_004	MAST BUTTON KIT
17	AC000_E000_008	CIRCUIT BREAKERS COVER
18	AC000_E000_019	SWITCH COVER
19	XECOK2_C019_233	LEFT STOP PLATE
20	AC000_E015_005	FUEL LEVEL GAUGE
21	AC000_E014_001	CONTROLLER
22	AC000_E006_001	CONTROLLER GASKET
23	XECOK2_S010_230B	CONTROL PANEL INSTRUMENTS PLATE
24	AC000_E018_019	CONNECTOR
25	AC000_M038_035	EARTHING TERMINAL

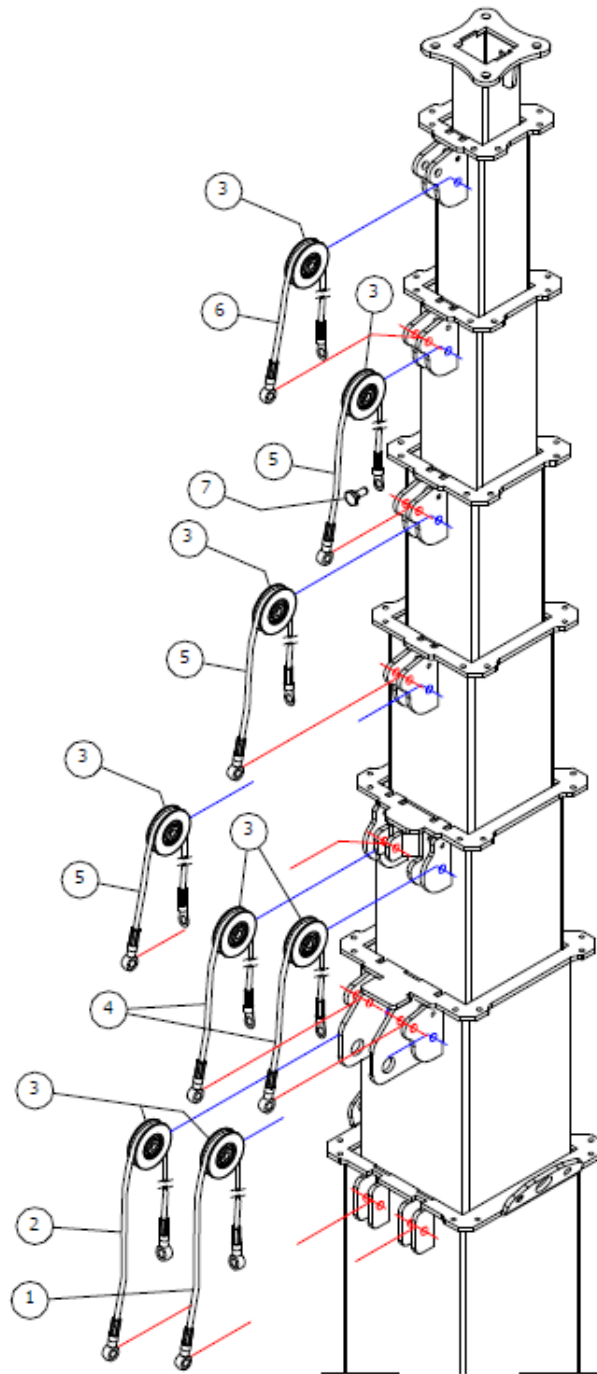
NO.	PART CODE	DESCRIPTION
26	AC000_E011_007	230V 16A OUTPUT
27	SI000_G006_010	STOP BUTTON KIT
30	XECOK2_S010_164B	EXTERNAL PANEL INSTRUMENTS PLATE
31	XRENT_C006_097	EXTERNAL CONTROL PANEL BOX
32	AC000_E000_016	SWITCH
33	AC000_E000_070	CAPACITOR
34	AC000_E016_005	LIGHT SENSOR RELAY
35	AC000_E012_028	RCD 13A
36	AC000_G006_004	10 POLES CONNECTOR
37	AC000_E000_071	5 POLES CONNECTOR
38	AC000_E000_040	12V 40A RELAY
39	AC000_E000_041	12V 70A RELAY
40	AC000_G006_003	24 POLES CONNECTOR
41	XECOK2_C019_229	CONTROL PANEL BOX
42	AC000_M038_049	BAR L.100
43	XECOK2_C006_110	CIRCUIT BREAKERS SUPPORT
44	AC000_E012_027	LAMP SWITCH



NO.	PART CODE	DESCRIPTION
1	AS000_E006_001	JUNCTION BOX
2	AC000_E018_008	PG11 WIRE HOLDER
3	AC000_E018_002	PG21 WIRE HOLDER
4	AC000_P037_010	CAP
5	PFI08_C031_069	CENTERING PLATE
6	AC000_E018_018	CLAMP WITH RUBBER
7	AC000_M038_007	CABLE CLIP
8	LED06_C000_080	CENTRAL SUPPORT
9	PFM08_C000_071	WHITE PLATE
10	PFM08_C000_070	LOGO PLATE
11	PFM08_C000_072	RED PLATE
12	LED04_C000_101ZN	FLOODLIGHT LOWER / CENTRAL BRACKET
13	AC000_E026_087	160W 48 SPOT FLOODLIGHT
14	AC000_M000_076	HANDLE
15	LED06_C000_081ZN	FLOODLIGHT UPPER BRACKET
16	AS000_M023_001	SPACER
17	AC000_E016_005	LIGHT SENSOR ELEMENT
18	LED06_C000_070	REAR COVER
19A	AC000_E006_002	2 POLE ELECTRICAL CLAMP
19B	AC000_E006_004	5 POLE ELECTRICAL CLAMP
	X-ECOFLEXREPAIRKIT	CABLE REPAIR MALE & FEMALE CONNECTER + CABLE

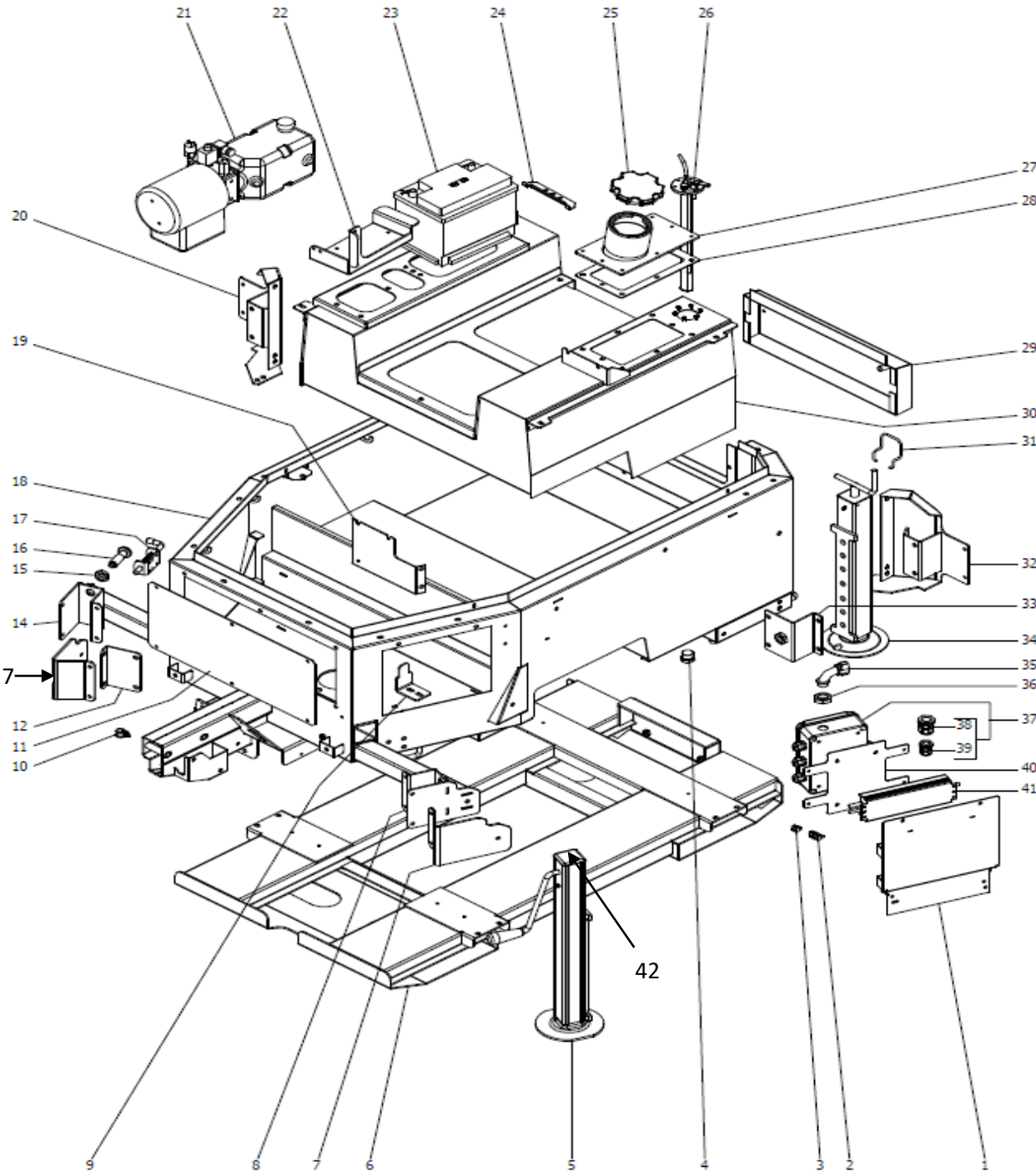


NO.	PART CODE	DESCRIPTION
1	PFI08_C031_019ZN	MAST POSITIONING PLATE, LEFT
2	AC000_M038_007	CLAMP WITH RUBBER
4	PFM07_C031_070	MAST ROTATING SUPPORT
5	AS000_M023_026	HYDRAULIC PIPE PIN
6	AC000_G025_001	HYDRAULIC PIPE KIT
7	AS000_I025_001	HYDRAULIC PIPE
8	PFI08_C031_001ZN	1° SECTION MAST
9	PFI08_C031_024	SPACER
10	PFI08_C031_015	DRAG FLANGE
11	PFI08_C031_018ZN	MAST POSITIONING PLATE, RIGHT
19	AS000_M000_005	MAST ANGLE GUIDE
20	PFI08_C031_012ZN	MAST ANGLE GUIDE REINFORCEMENT
21	PFI08_C031_008ZN	8° SECTION MAST
22	PFI08_C031_007ZN	7° SECTION MAST
23	PFI08_C031_006ZN	6° SECTION MAST
24	PFI08_C031_005ZN	5° SECTION MAST
25	PFI08_C031_004ZN	4° SECTION MAST
26	PFI08_C031_003ZN	3° SECTION MAST
27	PFI08_C031_002ZN	2° SECTION MAST
30	SI000_G000_001	COILED CABLE CENTERING ROD (COMPLETE)
31	PFI08_C031_029	AIR BUBBLE LEVEL PROTECTION
32	AC000_M016_002	AIR BUBBLE LEVEL
33	PFI08_C031_009	COILED CABLE PROTECTION
34	AC000_P037_001	HANDLE
35	PFM08_C000_047	COILED CABLE LOCK
36	AC000_E006_016	COILED CABLE
37	XRENT_C031_087	MAST ROTATING SUPPORT FRAME



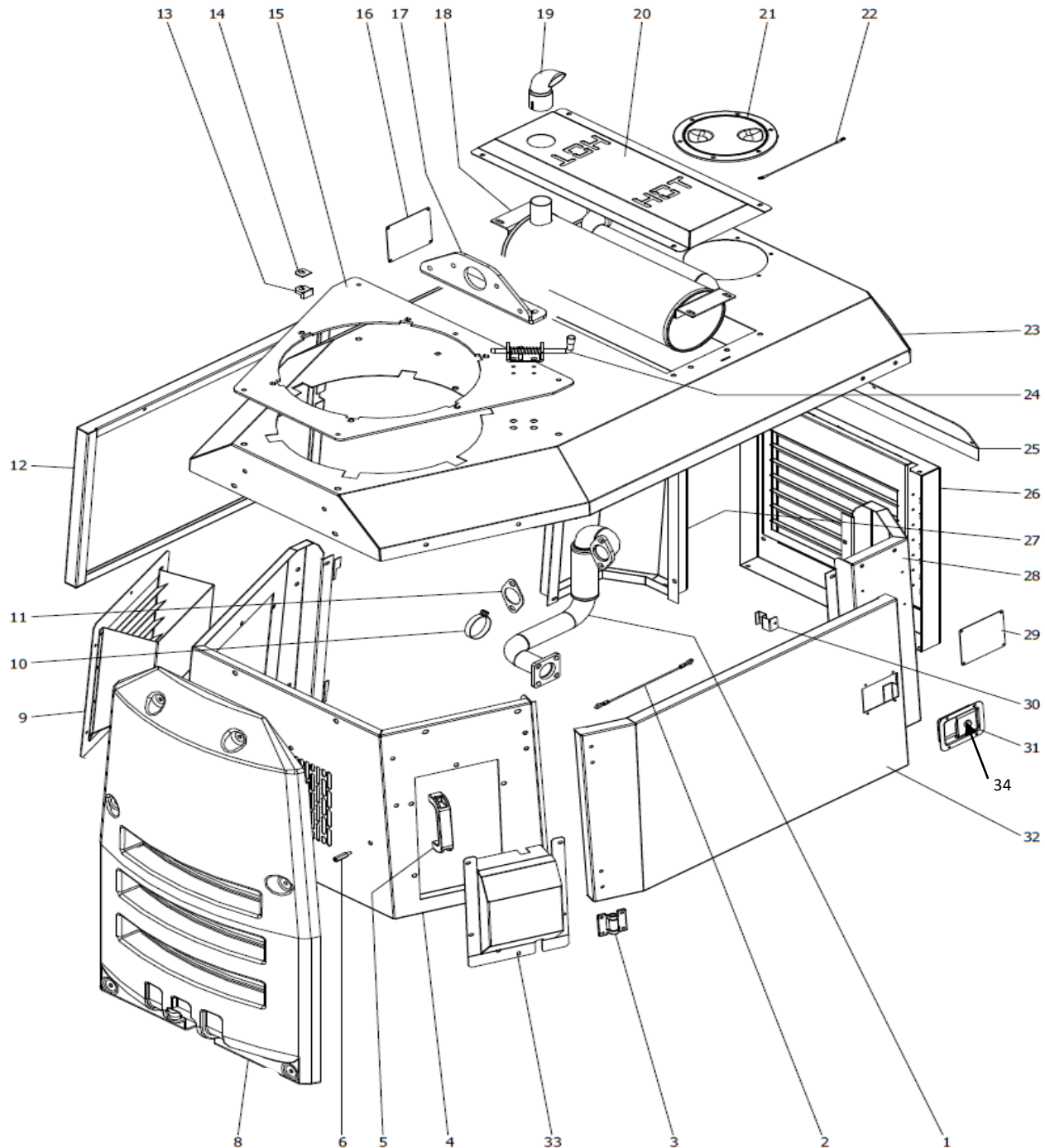
NO.	PART CODE	DESCRIPTION
1	AC000_M021_012	STEEL ROPE L.1440 mm
2	AC000_M021_005	STEEL ROPE L.1460 mm
3A	AC000_M021_002	PULLEY D.60
3B	AC000_M021_003	PULLEY D.62
3C	AC000_M021_008	PULLEY D.63
4	AC000_M021_007	STEEL ROPE L.1385 mm
5	AC000_M021_006	STEEL ROPE L.1415 mm
6	AC000_M021_004	STEEL ROPE L.1440 mm
7	AS000_M000_029	SCREW

PLEASE MEASURE PULLEYS & ROPES
BEFORE PLACING A ORDER



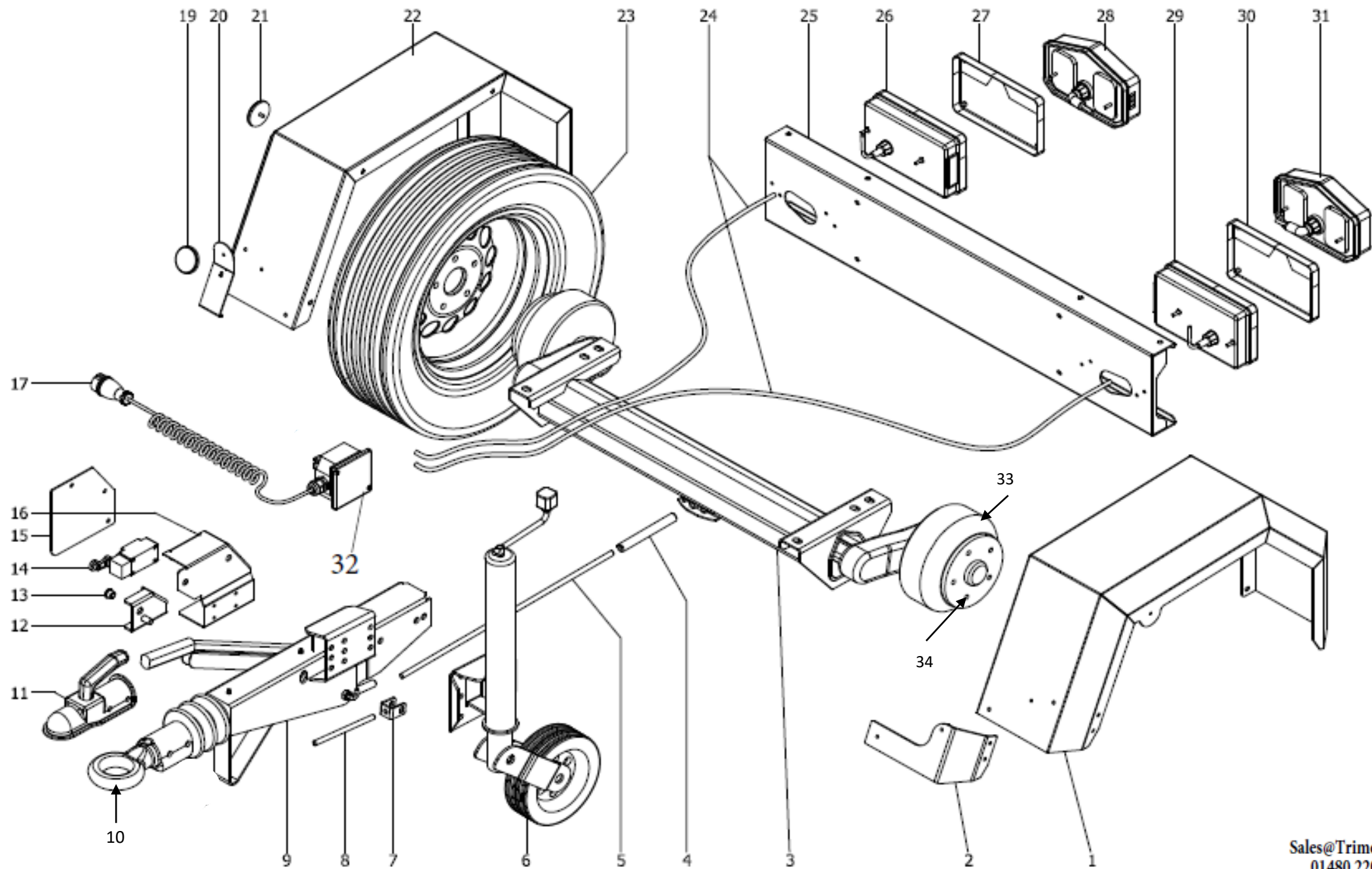
NO.	PART CODE	DESCRIPTION
1	XECOK2_C006_049	POWER SUPPLIES SUPPORT
2	AC000_E006_004	5 POLES CLAMP
3	AC000_E006_002	2 POLES CLAMP
4	AC000_M000_081	DRAIN CAP
5	XECOK2_C003_200	STABILIZER
6	XECOK2_C000_226	FRAME FOR FORKLIFT
7	XECOK2_R008_190	RUBBER PROTECTION
8	XECOK2_C000_119ZN	RIGHT STABILIZER BEAM
9	XRENT_C000_037	ANTIROTATION PLATE
10	AC000_M038_007	RUBBERED CLAMP
11	XECOK2_C008_036	MAIN BASE STRUCTURE FRONT COVER
12	XECOK2_C000_117ZN	STABILIZER LOCK
13	XECOK2_R008_191	RUBBER PROTECTION
14	XECOK2_C000_120ZN	LEFT STABILIZER BEAM
15	AC000_M038_026	NUT
16	AC000_M000_077	PIN LOCK WITH SPRING
17	AC000_M000_086	CLOSING LOCK PIN
18	XECOK2_C004_128	MAIN BASE STRUCTURE
19	XECOK2_C006_111	CONTROL PANEL SUPPORT
20	XECOK2_C000_097	LEFT STABILIZER SUPPORT
21A	AS000_I000_011	HYDRAULIC UNIT (ASG)
21B	AS000_I000_017	HYDRAULIC UNIT (HYDROVEN)
22	XECOK2_C000_084	HYDRAULIC UNIT SUPPORT
23	AC000_E000_027	BATTERY

NO.	PART CODE	DESCRIPTION
24	TF8K1_C000_0014	BATTERY LOCK
25	AC000_M000_028	FUEL TANK CAP
26	AC000_E006_025	FUEL LEVEL TRANSMITTER
27	XECOK2_C005_149	FUEL TANK PLATE
28	XECOK_AS05_009	GASKET
29	XECOK2_C004_034	MAIN BASE STRUCTURE REAR COVER
30	XECOK2_C005_235	FUEL TANK
31	AC000_M000_062	STABILIZER SPRING
32	XECOK2_C000_095	RIGHT STABILIZER SUPPORT
33	XECOK2_C000_096	STABILIZER LOCK
34	XECOK2_C003_093	STABILIZER
35	AC000_E018_017	CURVED CONNECTOR
36	AC000_E018_014	CURVED CONNECTOR NUT
37	AS000_E006_003	JUNCTION BOX
38	AC000_E018_002	CABLE GLAND PG21
39	AC000_E018_009	CABLE GLAND PG16
40	XECOK2_C006_068	JUNCTION BOX SUPPORT
41	AC000_E026_088	POWER SUPPLY / DRIVER
42	AC000_M000_061	STABILISIER CAP COVER



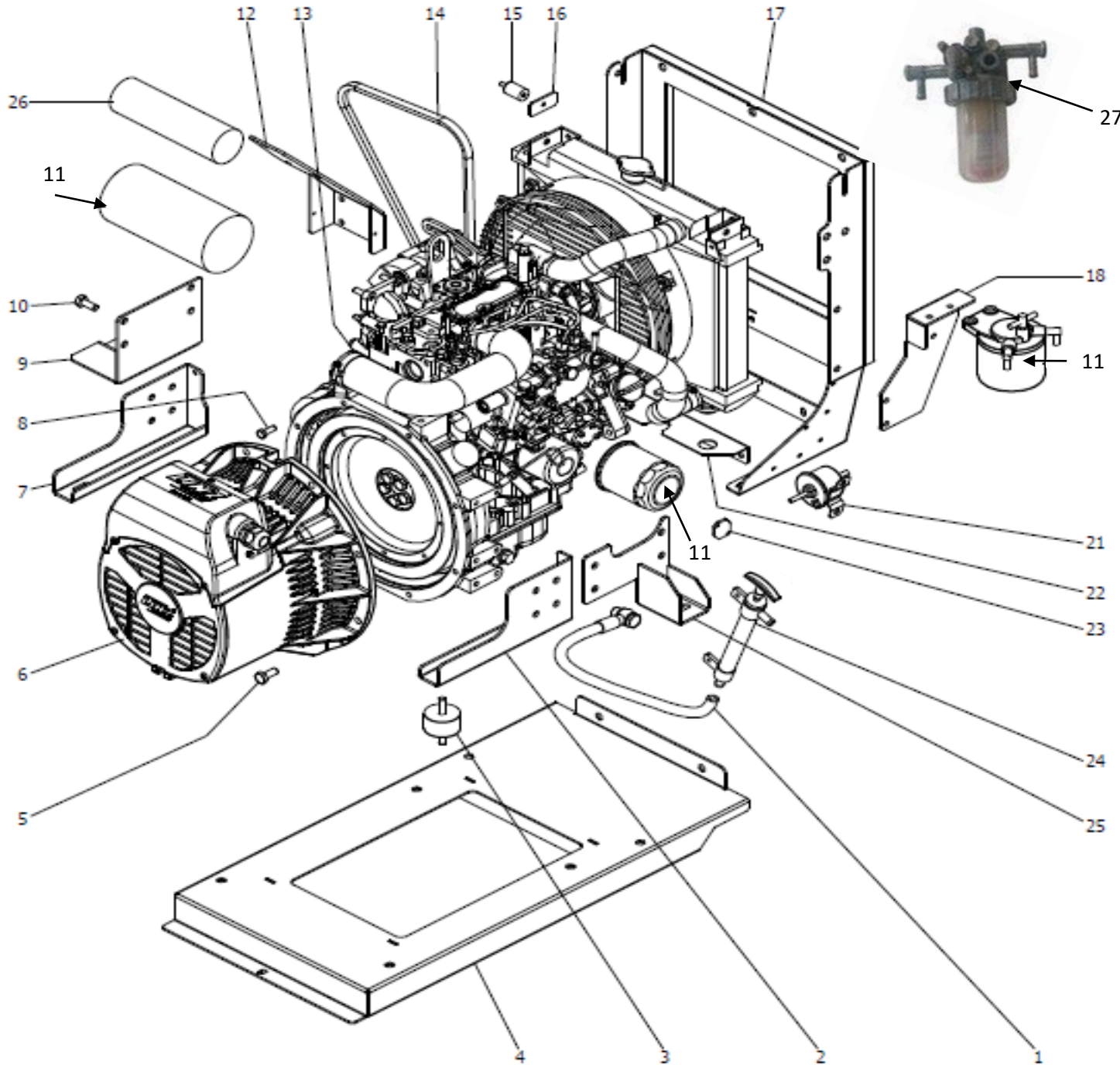
NO.	PART CODE	DESCRIPTION
1	XECOK2_C035_476	MUFFLER EXTENSION
2	XECOK2_M009_161	DOOR RETENTION ROPE
3	AC000_M000_009	DOOR HINGE
4	XECOK2_C007_046	FRONT PANEL
5	AC000_M000_005	HANDLE
6	PLASTICFRONTCOVERKIT	SPACER/FIXING KIT
8	XECO_AS009_058	PLASTIC COVER
9	XRENT_C008_044	AIR INLET GRID
10	AC000_M038_009	CLAMP
11	AC000_M001_007	MUFFLER EXTENSION GASKET
12	XECOK2_C008_132	OFFSIDE DOOR
13	PFI08_C031_013	ROTATIONAL GUIDES
14	PFI08_C031_014ZN	ROTATIONAL GUIDES REINFORCEMENT
15	XECOK2_C000_050	MAST ROTATION GUIDE PLATE
16	XECOK2_S010_185B	APPROBATION PLATE
17	XECOK2_C036_386ZN	LIFTING EYE
18	XECOK_C035_045	MUFFLER
19	AC000_M000_105	EXHAUST ANGLE
20	XECOK_C007_032	MUFFLER COVER

NO.	PART CODE	DESCRIPTION
21A	AC000_M001_035	RADIATOR CAP COVER
22	AS000_M036_083	RADIATOR CAP COVER RETENTION ROPE
23	XECOK2_C007_129	TOP CANOPY
24	AC000_M000_003	CLOSING LOCK PIN
25	XECOK2_C007_113	REAR PLATE
26	XECOK2_C008_225	AIR OUTLET GRID
27	XECOK2_C007_133	REAR OFFSIDE PANEL
28	XECOK2_C007_134	REAR NEARSIDE PANEL
29	XECOK2_S010_277B	DATA PLATE
30	XRENT_C000_040	LOCK CONTRAST
31	AC000_M000_017	DOOR LOCK
32	XECOK2_C008_131	NEARSIDE DOOR
33	XECOK2_C000_155	EXTERNAL PANEL COVER
34	AC000_M000_137	DOOR KEY

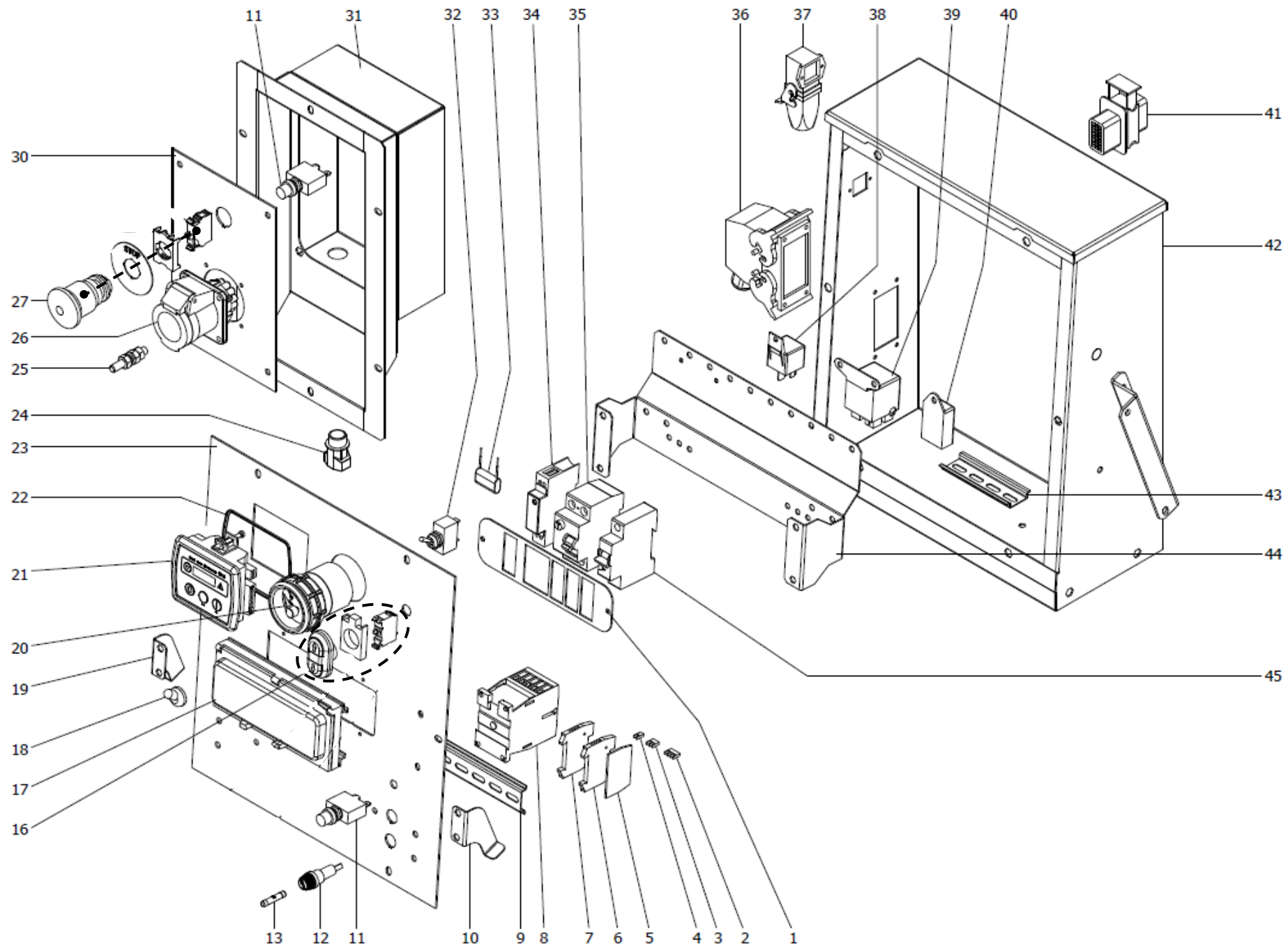


NO.	PART CODE	DESCRIPTION
1	XECOK2_C004_069	NEAR SIDE MUDGUARD
2	XECOK2_R008_188	RUBBER BUFFER
3A	AC000_T003_002	AXLE (ALKO)
3B	AXLE (ALKO)	AXLE (OMC)
4	AS000_M000_073	PIN FOR TIE ROD
5A	XECOK2_C005_055ZN	REAR TIE ROD (AL-KO AXLE)
5B	XECOK2_C005_537ZN	REAR TIE ROD (OMC AXLE)
6	AC000_T003_003	JOCKEY WHEEL
7	XECOK2_C005_186ZN	TIE ROD JUNCTION
8	XECOK2_C005_059_03ZN	FRONT TIE ROD
9	AC000_T003_004	TOW BAR WITH HOOK D.50
10	AC000_T003_008	HOOK D.50
11	AC000_T003_007	BALL HOOK
12	XECOK2_C000_098	SENSOR PLATE
13	XECOK2_C001_101ZN	ADAPTER BUSHING
14	SI000_G006_009	SENSOR
15	XECOK2_C000_100	CLOSING PLATE
16	XECOK2_C000_099	SENSOR SUPPORT
17	AC000_E013_001	COILDED TOW CABLE
19	AC000_T013_001	WHITE REFLECTER
20	XECOK2_C004_312	REFLECTER SUPPORT
21	AC000_T013_002	ORANGE REFLECTER
22	XECOK2_C004_070	OFFSIDE MUDGUARD
23A	AC000_T003_001	WHEEL 175 R13 (AL-KO AXLE)
23B	AC000_T003_046	WHEEL 185 70 R13 (OMC AXLE)

NO.	PART CODE	DESCRIPTION
24A	AC000_E050_086	WIRING FOR LIGHTS 007 & 008 CLUSTER
24B	AC000_E050_253	WIRING FOR LED LIGHTS 026 & 027 CLUSTER
25	XECOK2_C000_238	LIGHT BAR
26	AC000_E013_007	OFFSIDE CLUSTER
27	AC000_E013_009	OFFSIDE CLUSTER LENS
28	AC000_E013_026	OFFSIDE LED LIGHT
29	AC000_E013_008	NEAR SIDE CLUSTER
30	AC000_E013_010	NEAR SIDE CLUSTER LENS
31	AC000_E013_027	NEAR SIDE LED CLUSTER
32	AC000_G006_001	JUNCTION BOX
33A	TR-1732461	BRAKE SHOE KIT (AL-KO AXLE)
33B	TR-OMC-F0035	BRKAE SHOE KIT (OMC AXLE)
34A	TR-2081670018	WHEEL BOLTS (AL-KO AXLE)
34B	TR-OMC-34.418	WHEEL BOLTS (OMC AXLE)



NO.	PART CODE	DESCRIPTION
1	AC000_G001_003	OIL DRAIN PIPE
2	XECOK2_C001_469	ENGINE RIGHT FRONT SUPPORT
3	AC000_M024_054	SCHOCK ABSORBER
4	XECOK2_C001_474	ENGINE / ALTERNATOR PLATFORM
5	AC000_M038_013	ALTERNATOR FIXING SCREW
6	AC000_E034_023	ALTERNATOR
7	XECOK2_C001_473	ENGINE LEFT FRONT SUPPORT
8	AC000_M038_014	ENGINE FIXING SCREW
9	XECOK2_C001_468	ENGINE LEFT REAR SUPPORT
10	AC000_M038_015	ENGINE SUPPORTS FIXING SCREW
11	YANMAR-2TNV70-SERVKIT	SERVICE KIT
12	XECOK2_C001_472	AIR FILTER SUPPORT
13	AC000_M033_031	ENGINE
14	TR-25152-003550	BELT
15	AC000_M024_091	SCHOCK ABSORBER
16	XECOK2_C001_466	SCHOCK ABSORBER PLATE
17	XECOK2_C001_462	RADIATOR FRAME
18	XECOK2_C001_464	FUEL FILTER SUPPORT
21	TR-R1401-51352	AC PUMP
22	XECOK2_C001_467	RADIATOR INFERIOR SUPPORT
23	XECOK2_C001_477	PLATE
24	AS000_M000_060	OIL DRAIN PUMP
25	XECOK2_C001_470	ENGINE RIGHT REAR SUPPORT
26	TR-119233-12700	LONG LIFE AIR FILTER SECONDARY ELEMENT
27	TR-129335-55750	WATER TRAP FILTER UNIT
28	TR-Y-12942377210	12V ALTERNATOR
	TR-119515-77010	STARTER MOTOR
	TR-119446-34801	DIPSTICK



NO.	PART CODE	DESCRIPTION
1	XRENT_C006_229	CIRCUIT BREAKERS FRAME
2	AC000_E006_063	4 PIN BRIDGE
3	AC000_E006_062	3 PIN BRIDGE
4	AC000_E006_023	2 PIN BRIDGE
5	AC000_E006_024	TERMINAL BOARD ELEMENT PLATE
6	AC000_E006_022	TERMINAL BOARD ELEMENT COVER
7	AC000_E006_021	TERMINAL BOARD ELEMENT
8	AC000_E006_054	CONTACTOR SWITCH
9	AC000_M038_037	BAR L.200
10	XECOK2_C019_232	RIGHT STOP PLATE
11	AC000_E012_013	12A CIRCUIT BREAKER
12	AC000_E012_030	FUSE HOLDER
13	AC000_E012_014	2A FUSE
16	SI000_G006_004	MAST BUTTON KIT
17	AC000_E000_008	CIRCUIT BREAKERS COVER
18	AC000_E000_019	SWITCH COVER
19	XECOK2_C019_233	LEFT STOP PLATE
20	AC000_E015_005	FUEL LEVEL GAUGE
21	AC000_E014_001	CONTROLLER
22	AC000_E006_001	CONTROLLER GASKET
23	XECOK2_S010_230B	CONTROL PANEL INSTRUMENTS PLATE

NO.	PART CODE	DESCRIPTION
24	AC000_E018_019	CONNECTOR
25	AC000_M038_035	EARTHING TERMINAL
26	AC000_E011_007	230V 16A OUTPUT
27	SI000_G006_010	STOP BUTTON KIT
30	XECOK2_S010_164B	EXTERNAL PANEL INSTRUMENTS PLATE
31	XECOK2_C006_105	EXTERNAL CONTROL PANEL BOX
32	AC000_E000_009	SWITCH
33	AC000_E000_070	CAPACITOR
34	AC000_E016_005	LIGHT SENSOR RELAY
35	AC000_E012_028	RCD 13A
36	AC000_G006_004	10 POLES CONNECTOR
37	AC000_E000_071	5 POLES CONNECTOR
38	AC000_E000_040	12V 40A RELAY
39	Y-11965077911	RELAY SOLENOID
40	Y-11965077910	TIMER RELAY
41	AC000_G006_003	24 POLES CONNECTOR
42	XECOK2_C019_229	CONTROL PANEL BOX
43	AC000_M038_049	BAR L.100
44	XECOK2_C006_110	CIRCUIT BREAKERS SUPPORT
45	AC000_E012_027	LAMP SWITCH

SPARE PARTS TEAM

Spares@Trimeuk.com



Norman Pipe
Operations/Spares Manager
tel. 01480 220 500
mob. 07495 670269
normanpipe@trimeuk.com



Marcus Wilson
Spares Part Sales
tel. 01480 220 500
marcuswilson@trimeuk.com



Wayne Brennan
Technical Director
tel. 01480 220 500
mob. 07494 654373



Leighton Roberts
Technical Manager
tel. 01480 220 500
mob. 07375 664812



Sally Gunn
Accounts Administrator
tel. 01480 220 500
mob. 07494 654373
admin@trimeuk.com



Emma Cohen
Marketing Administrator
tel. 01480 220 500
marketing@trimeuk.com

SALES TEAM

Sales@Trimeuk.com



David Gray
Sales Manger
tel. 01480 220 500
mob. 07939990958



Mark Taylor
Sales Manger
tel. 01480 220 500
mob. 07539528017



Andrew Owen
Sales Manger
tel. 01480 220 500
mob. 07983871870



Paul Hay
Managing Director
tel. 01480 220 500
mob. 07836 522223



Ray Caulfield
CEO
tel. 01480 220 500
mob. 07970140680