

T-ZERO PRO

POWER & INNOVATION

LIGHTING TOWER X-CITY HYBRID

Less emissions
more technology



1st MOBILE
LIGHTING TOWER
with assisted
electrical movement



T-ZERO^{PRO}

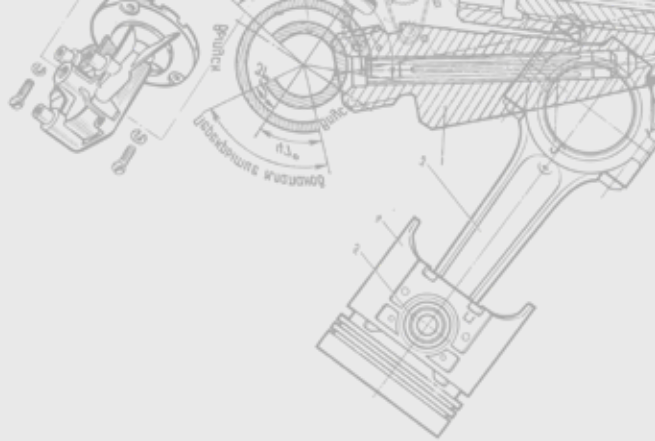
POWER & INNOVATION



REDUCE COSTS

REDUCE NOISE

REDUCE CO₂ EMISSIONS



LIGHTING TOWER X-CITY HYBRID



Antiglare system

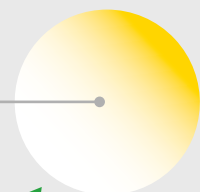


Can be transported in a small van



20 unit for truck

illuminated area **1800 sqm**



1st MOBILE LIGHTING TOWER
with assisted electrical movement

APPLICATIONS



Construction & work sites



Rural & hard to reach areas



Special events



Military applications



technical data	X-CITY Hybrid antiglare
Illuminated area	1800 sqm
Batteries	2x 12 Vdc 105ah AGM
Battery pack	24 Vdc 105ah AGM
Running time from battery	8 h
Overall Running time	455 h
Engine	YANMAR L48N
Dimensions mm	1395x950x1170
Mast	manual
Weight	470 kg

T-ZERO^{PRO}
www.t-zero.com

Sales Dept. +39 0382 406 252
info@trime.it

TRIME GROUP